

Front seats

4. Seat back angle adjustment.
5. Head restraint height adjustment.
6. Height adjustment.
7. Forward and rearward adjustment.
8. Cushion front tilt adjustment.

To adjust the seats, the Smart Key must be in the vehicle and the ignition turned on.

If an obstruction is encountered while the seat is in motion, the seat will stop moving and further movement will be restricted until reset.

To reset the seat:

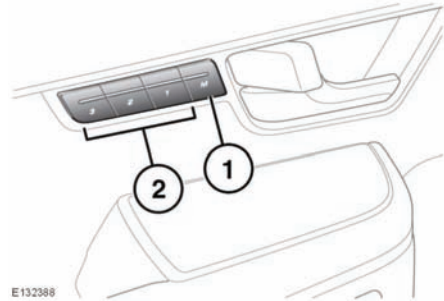
1. Remove the obstruction.
2. Adjust the seat to the point where movement is restricted.
3. Press and hold the switch for at least 2 seconds to override the restriction.

PASSENGER SEAT AWAY



When fitted the driver can adjust the position of the front passenger seat, press for forward or rearward adjustment.

DRIVING POSITION MEMORY



1. Memory set button.
2. Memory presets.

Once you have adjusted the driver's seat, steering column (**20, ADJUSTING THE STEERING WHEEL**) and exterior mirrors (**43, EXTERIOR MIRRORS**) the vehicle can memorise these settings using the driver memory buttons.

Once the passenger seat has been adjusted, these settings can be memorised using the passenger memory buttons.

1. Press the memory set button to activate the memory function.
2. Press one of the preset buttons within 5 seconds to memorise the current settings. For the driver's settings, **MEMORY 1 (2 or 3) SETTINGS SAVED** will be displayed on the message centre accompanied by an audible chime to confirm the settings have been memorised.

A seat position can only be memorised during the 5 second period.

Any existing settings for a memory preset will be over-written when programming a memory position.