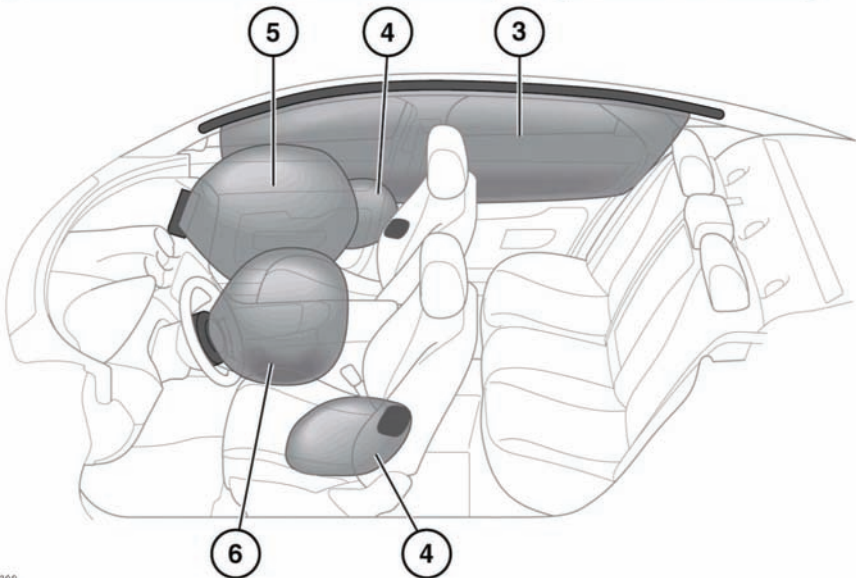
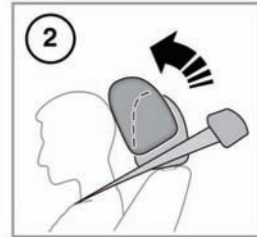
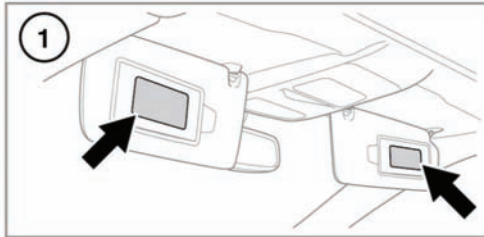


AIRBAGS AND ACTIVE HEAD RESTRAINTS



E 132399

1. Airbag warning information is printed on the driver and passenger sun visors.
2. Both front seats are equipped with Active Head Restraints (AHR) which reduce the risk of neck and spinal injury (whiplash) in the event of a rear impact by moving the head restraint upwards and forwards, supporting the occupant's head.

After activation, the whiplash protection mechanism resets automatically and does not need to be replaced.

3. The curtain airbags may deflate at a slower rate than the front or side airbags, to afford prolonged protection.
4. Seat mounted side airbags.
5. Front passenger airbag.
6. Driver's airbag.

Note: The general location of airbags fitted to the vehicle are marked by the word AIRBAG.

Always contact your Dealer/Authorised Repairer if:

- An airbag inflates.