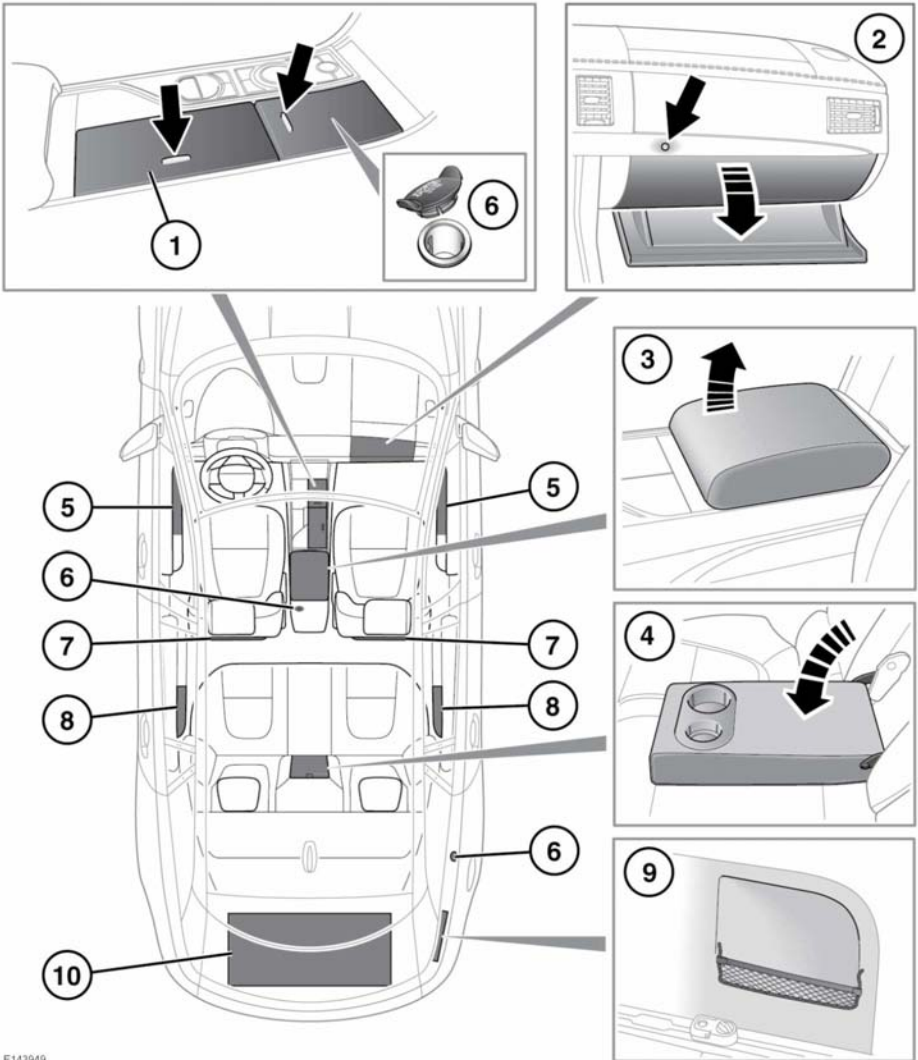


STORAGE COMPARTMENTS



E143949

1. Cup holder. Press button to open.



Do not drink, or use the drinks holders when driving.

To remove the cup holder insert for cleaning, lift the front edge rearwards and then upwards, to disengage the retaining clips.

Storage compartments

When refitting the insert, push it fully into the compartment and run your thumb down the inside surface at the front and rear, to re-engage the clips. If the lid of the cup holder does not close correctly, the insert has not been properly refitted.

2. Glove box: Open using the glove box release (arrowed).

Note: *When Valet mode is selected the glove box release is disabled.*

3. Cubby box.
4. Rear cup holders.
5. Front door stowage.
6. Auxiliary power sockets.



Only use approved accessories and always run the engine when using accessories for a prolonged period.

7. Map pockets.
8. Rear door stowage.
9. Side pocket with netting (Sportbrake only).
10. Loadspace under floor storage (Sportbrake only).