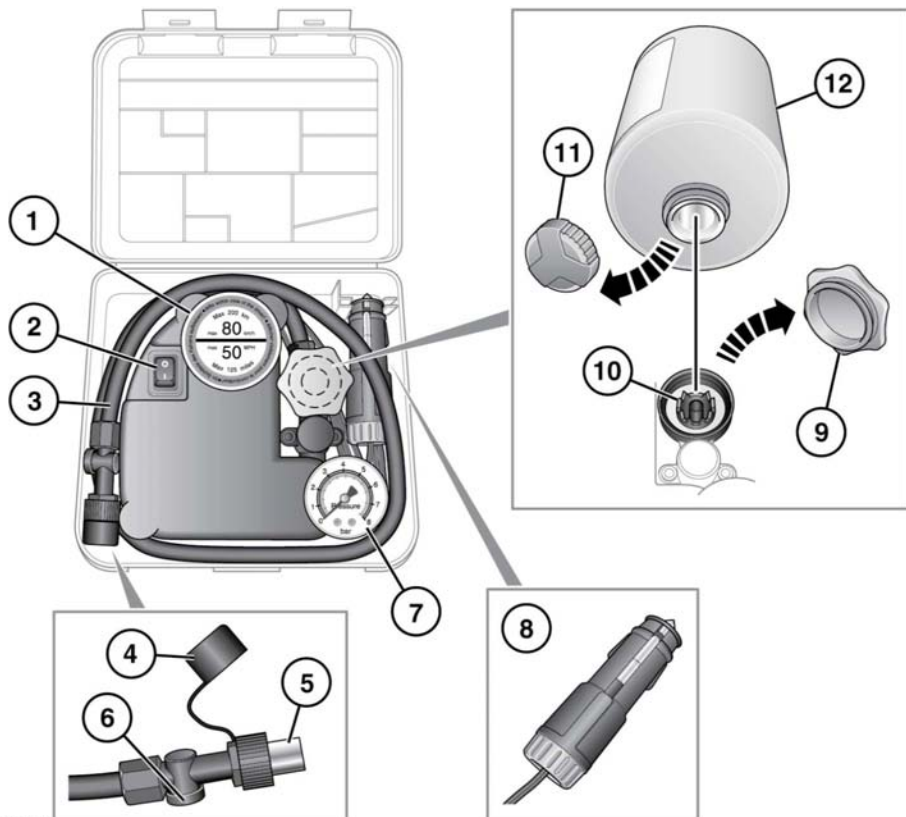


# Tyre repair kit



## TYRE REPAIR KIT OVERVIEW



- E142252
1. Maximum speed label. 80 km/h (50 mph).
  2. Compressor on/off switch (1 = on. 0 = off.).
  3. Tyre inflation hose.
  4. Inflation hose protective cap.
  5. Inflation hose connector.
  6. Pressure release valve.
  7. Tyre pressure gauge.
  8. Power cable connector.
  9. Sealant bottle receiver cap (orange).
  10. Sealant bottle receiver.
  11. Sealant bottle cap.

12. Sealant bottle.

## USING THE TYRE REPAIR KIT

-  **Avoid skin contact with the sealant which contains natural rubber latex.**
-  **If the tyre inflation pressure does not reach 1.8 bar (26 psi, 180 kPa) within 7 minutes, the tyre may have suffered excessive damage. A temporary repair will not be possible and the vehicle should not be driven until the tyre has been replaced.**