



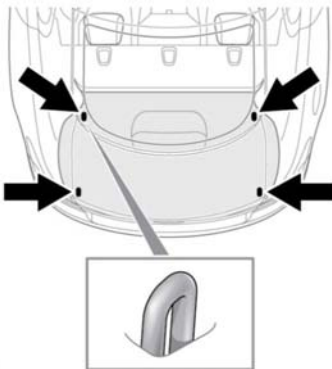
Care should be taken when manually closing and engaging the latch as the soft-close feature will automatically close the latch. Possible injury may occur.

To activate the soft-close feature, lower the luggage compartment lid or tailgate onto the latch. It will then automatically move to the fully closed and latched position.

## Roof luggage

Jaguar branded cross bars are required for fitting all roof carrying equipment. The roof load must not exceed 75 kg (165 lb).

## LUGGAGE ANCHOR POINTS

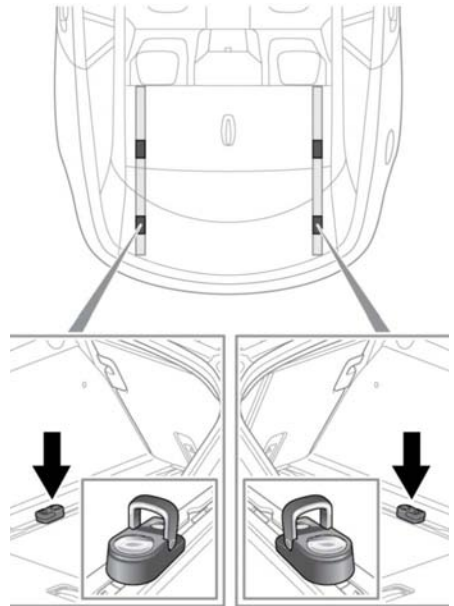


E134330

## LUGGAGE DIVIDER

For Sportbrake models, a luggage divider kit is provided to assist with safely securing items of luggage to the loadspace floor.

Floor mounted luggage rails provide a full width mounting channel that will accommodate a flexible retracting band and/or a solid telescopic divider to retain soft and hard luggage of all shapes and sizes.



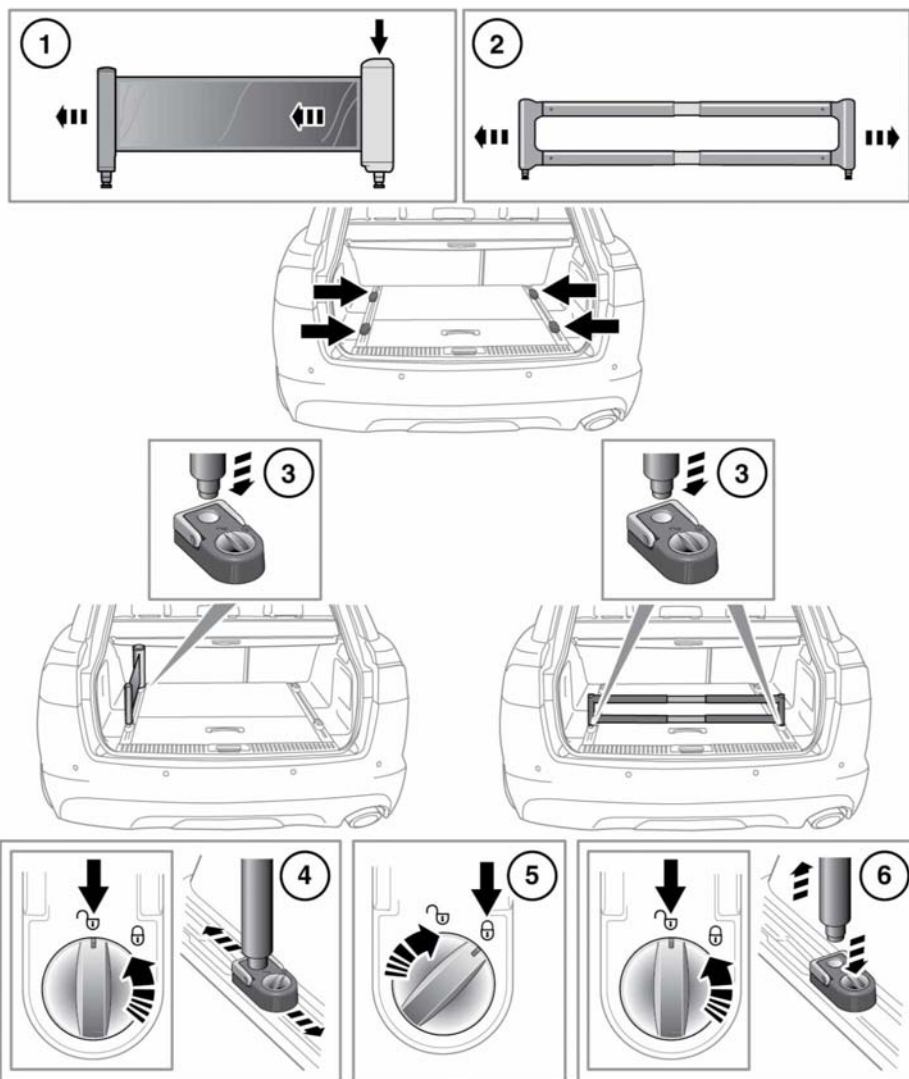
All items carried in the vehicle should be properly secured.

4 securing points are provided in the luggage area to assist in safely securing items.

Sportbrake models have moveable luggage anchor points. See **69, LUGGAGE DIVIDER**.

**Note:** A range of approved luggage retention accessories are available from your Dealer/ Authorised Repairer.

# Luggage compartment



E144568

1. Press and pull to adjust length required of retracting band.
2. Adjust divider to length required.
3. Unlock required lashing eye, attach the luggage band/divider to lashing eye.

4. With the lashing eye in the unlocked position, press the switch and slide to the required position in the luggage rail.
5. Lock lashing eye when in required position.
6. To remove luggage band/divider from lashing eye, unlock lashing eye and press the lock/unlock switch and release.