

# Towing

- Ensure that a suitable breakaway cable or secondary coupling is used. Refer to the trailer manufacturer's instructions for guidance.
- Ensure that the tow ball is secure.
- Check the operation of all trailer lights.

## TRAILER SWAY MITIGATION (TSM)

**Note:** This feature may not operate with all trailer designs.



Trailer sway mitigation (TSM) will not operate in the event of the trailer jack-knifing.

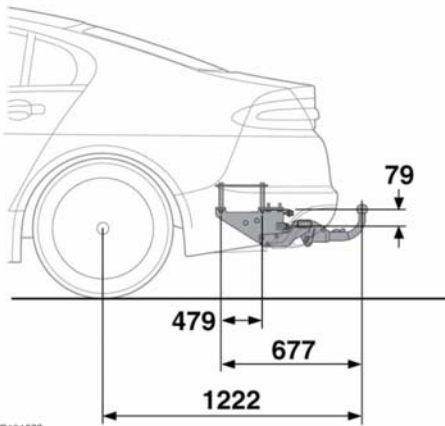


The ability of the system may be reduced when travelling on slippery surfaces.

TSM is an automatic feature to assist the stability of a trailer when towing. If trailer sway is detected, engine power will be gradually reduced and the brakes applied to help regain control.

**Note:** TSM will not operate when DSC is switched off.

## TOW BAR DIMENSIONS AND MOUNTING POINTS



E134577

**Note:** Dimensions given are in millimetres.

