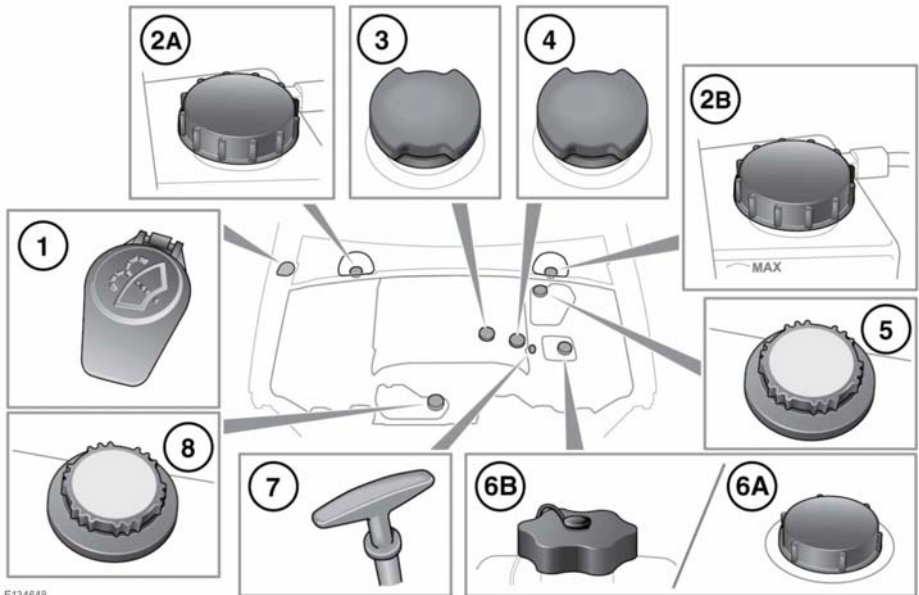


5.0L and 3.0L petrol engines



E134648

1. Washer fluid.
2. Brake fluid:
 - A. Right-hand drive vehicles.
 - B. Left-hand drive vehicles.
3. Engine oil (3.0L).
4. Engine oil (5.0L).
5. Coolant (5.0L).
6. Power steering.
 - A. 5.0L.
 - B. 3.0L.
7. Engine oil dipstick (3.0L).
8. Coolant (3.0L).



Do not drive the vehicle if there is a possibility that leaked fluid will come into contact with a hot surface, such as the exhaust.

UNBLOCKING WASHER JETS



Do not operate the washer jets during adjustment. Windscreen washer fluid may cause irritation to the eyes and skin. Always read and observe the washer fluid manufacturers instructions.

If a washer jet becomes blocked, use a thin strand of wire to unblock the jet by inserting the wire into the jet. Ensure that the wire is completely removed after unblocking.

LAMP FAILURE

Headlamp unit:



The headlamps are Xenon High Illumination Density (HID) units. Replacement or maintenance of Xenon lamps should only be carried out by qualified personnel.