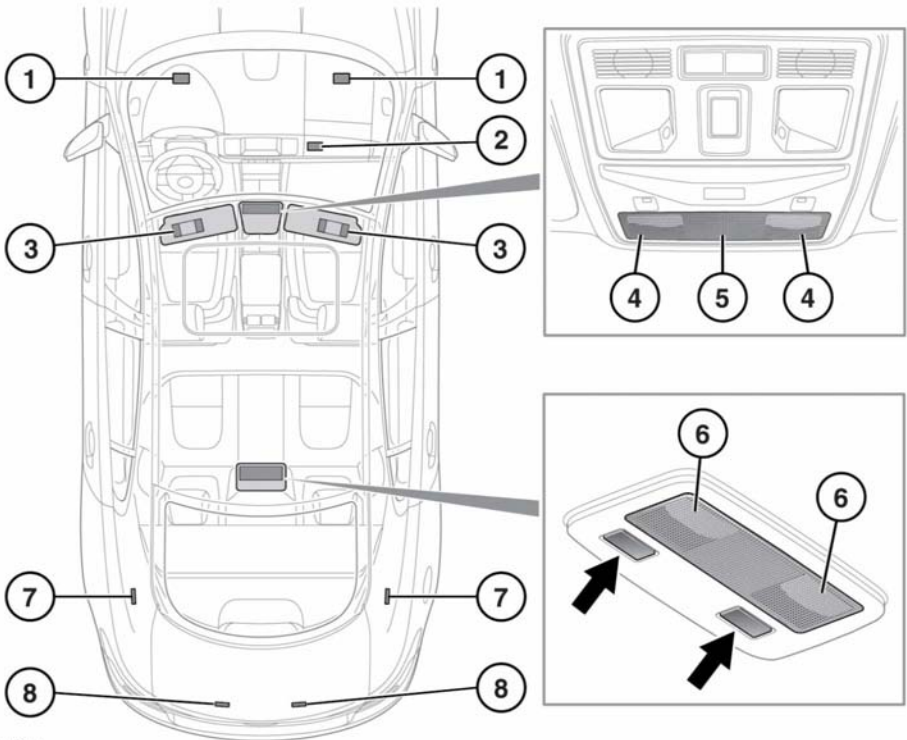


## INTERIOR LIGHTS



E143946

1. Front seat footwell illumination.
2. Glove box lamp.
3. Vanity mirror lamps.
4. Front reading lamps: Touch the lens briefly to switch on/off.
5. Front interior courtesy lamp: Illuminates when the doors are unlocked and extinguishes 30 seconds after all doors are closed or when the vehicle is locked.

The lamps are operated by proximity sensors. Move your finger close to (or touch) the appropriate lens to switch on/off. Touch the lens for 2 seconds to switch automatic illumination on/off (**Manual mode** or **Auto mode** is displayed in the message centre accordingly).

6. Rear interior and reading lamps: Switch on automatically when the doors are opened. Press the appropriate switch to activate a lamp manually
7. Luggage compartment lamp: Press the switch briefly to switch on/off.
8. Rear door lamps. Sportbrake only.