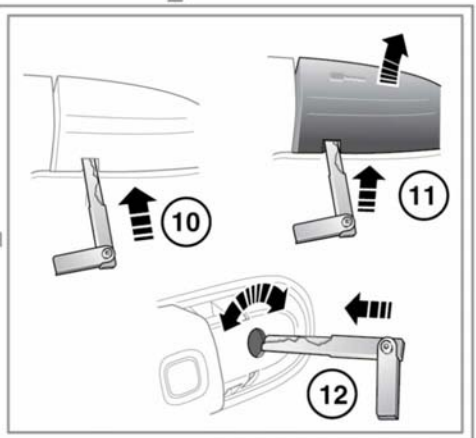
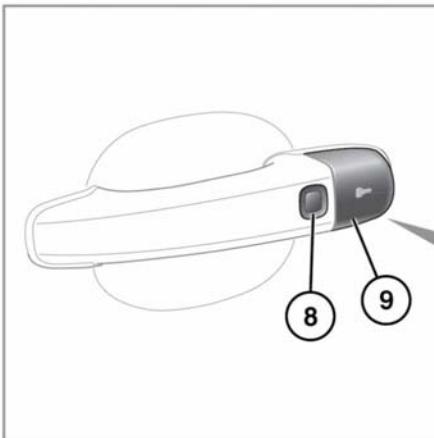
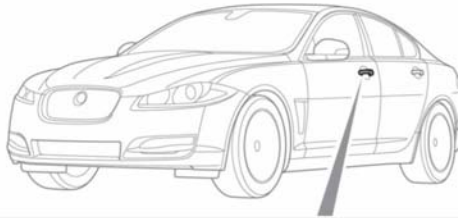
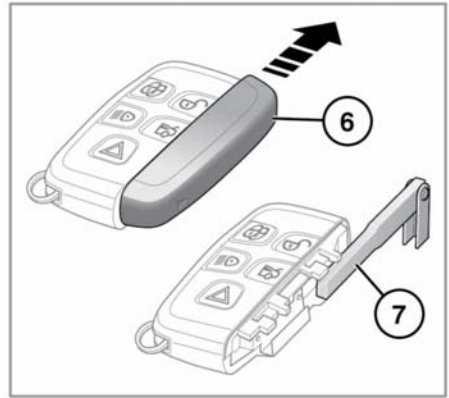
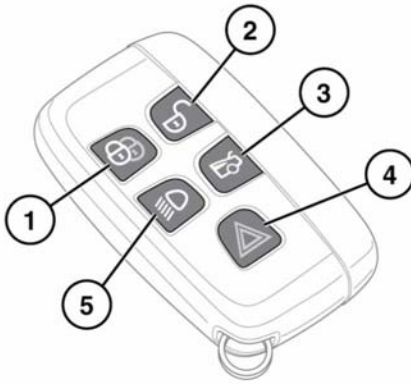


UNLOCKING THE VEHICLE



E143940

1. Press the lock button to secure the vehicle. The vehicle can be Single or Double locked. See **10, SINGLE LOCKING** and **10, DOUBLE LOCKING**.
2. Your vehicle can be unlocked using either Single or Multi-point entry.

Entering the vehicle

When single point entry is enabled the first press unlocks the driver's door and enables the other doors to be opened from the inside. The hazard warning lamps will flash twice, to indicate that the vehicle is unlocked and the alarm has been disarmed.

A second press unlocks the passenger doors and the luggage compartment.

If multi-point entry is enabled, press briefly to unlock all the doors and luggage compartment and to disarm the alarm. The hazard warning lamps will flash twice to indicate that the vehicle is unlocked and the alarm has been disarmed.

To change from Single to Multi-point entry (or vice versa), press both the lock and unlock buttons simultaneously for 3 seconds. The hazard warning lamps will flash twice to confirm the change.

The change can also be achieved using the touch screen. See **62, VEHICLE SETTINGS**.

3. Press to open the luggage compartment. The vehicle security system will remain active for the period the luggage compartment is open, but the intrusion and inclination sensing systems will be inhibited. Door and bonnet security will remain active.

The security system will re-arm to its previous state when the luggage compartment is closed.

4. Panic alarm: Press and hold for 3 seconds, or press 3 times within 3 seconds, to activate the horn, siren and hazard lamps. After 5 seconds, the alarm can be cancelled by pressing the button and holding for 3 seconds, or pressing 3 times within three seconds.

The emergency alarm will also be cancelled if the vehicle detects a valid Smart Key when the **START/STOP** button is pressed.

5. Press to switch on the approach illumination for up to 120 seconds. The illumination time is set using the exit delay switch on the lighting control. Pressing the button again or operating the **START/STOP** button, will turn the approach lamps off.
6. Slide and remove the cover to expose the emergency key blade.
7. Remove the emergency key blade.
8. Keyless locking button. See **11, KEYLESS LOCKING**.
9. Emergency lock cover.
10. Insert the key blade into the slot in the left side, front door lock cover.
11. Carefully lift the key blade to lever the cover off the retaining clips.
12. Insert the key blade into the exposed lock to operate.

To lock: Ensure all the doors are closed, then turn the key blade towards the front of the vehicle and release. This will lock all doors but will not arm the alarm.

To unlock: Turn the key blade towards the rear of the vehicle and release. If the security system is disarmed, all doors and the luggage compartment will be unlocked. If the security system is armed, only the left side, front door will unlock.

If the vehicle is unlocked using the emergency key blade with the security system armed, the alarm will sound when a door is unlocked. To deactivate the alarm, press the unlock button on the Smart Key or press the engine **START/STOP** button with the Smart Key inside the vehicle.