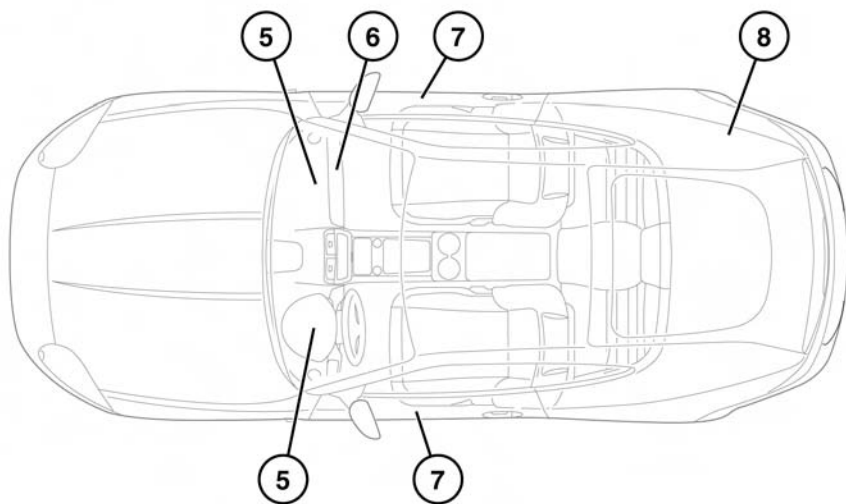
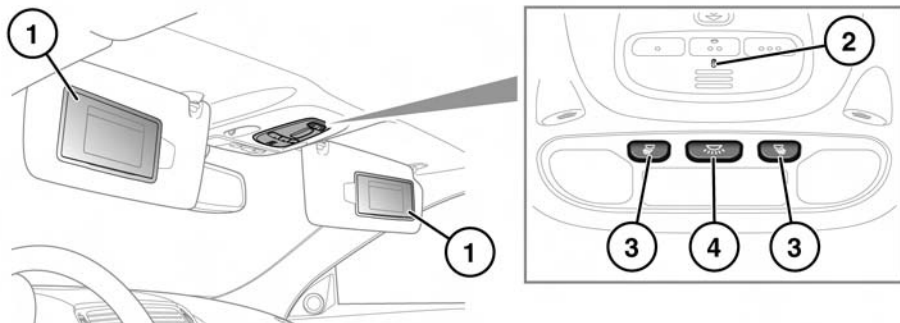


Interior lights

INTERIOR LIGHTS



SJ1683

1. Vanity mirror lamps.
2. Centre console illumination. This lamp comes on with the side lamps and can be controlled by the dimmer switch.
3. Reading and map lamps, press to switch on or off.
4. Courtesy and footwell lamp switch, press to switch these lamps on or off.
5. Footwell lamps.
6. Glove box lamp, will illuminate when opened.
7. Puddle lamps.
8. Luggage compartment illumination, comes on when the luggage compartment is opened.

The interior courtesy, footwell and puddle lamps operate when a door is opened. The lamps go out when the engine is started or approximately 30 seconds after the last door is closed. If any door is left open, the lamps will

fade off approximately 15 minutes after returning from convenience mode to power off.

The courtesy and footwell lamps can be de-activated by pressing the centre switch (4) for more than 2 seconds. The courtesy lamp will flash and then switch off. The lamps will come on again when the centre switch is pressed again for more than 2 seconds.

When the vehicle is unlocked, the courtesy lamps will come on at maximum brightness for approximately 30 seconds, if a door is not opened.

Note: *To prevent battery discharge, any interior lamps that are illuminated will automatically turn off after approximately 15 minutes, once the ignition is turned off.*