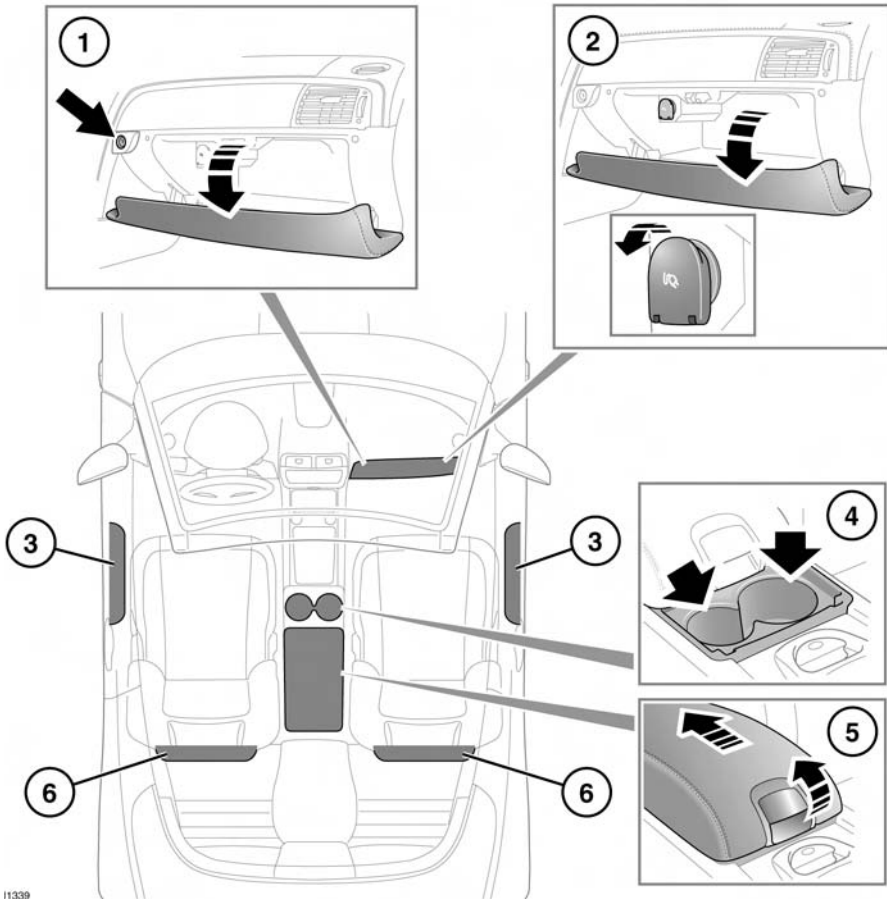


STORAGE COMPARTMENTS



1. Glove box: Open using the glove box release (arrowed).

Note: When Valet mode is selected the glove box release is disabled.

2. Auxiliary power sockets.



Only use approved accessories and always run the engine when using accessories for a prolonged period.

3. Front door stowage.

4. Cup holder: To access, pull the catch on the centre cubby box lid upwards and slide the lid/armrest rearwards.



Do not drink, or use the drinks holders when driving.

5. Cubby box.

6. Map pockets.

11339