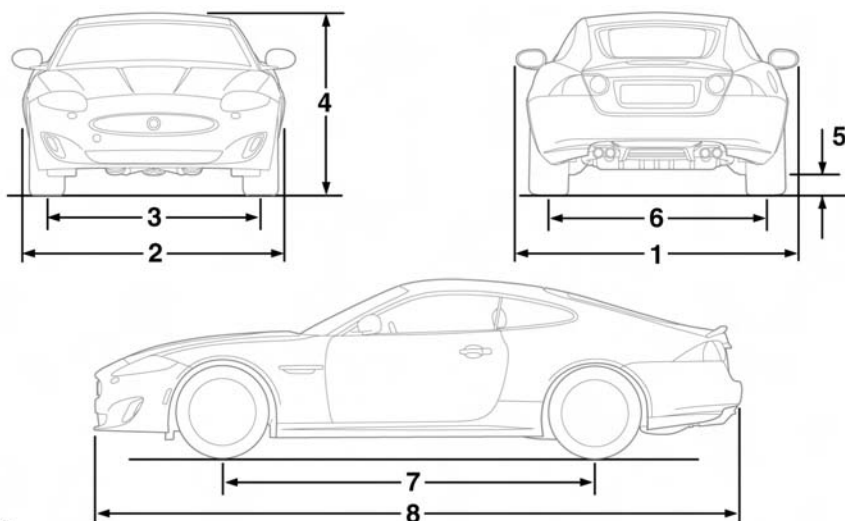


Technical specifications

DIMENSIONS



SJ1717

Item	Description	mm / inches
1	Width	2028 / 80
2	Width with mirrors folded	1892 / 74.5
2	Width with mirrors folded, rear arch extensions fitted	1912 / 75.3
3	Track - front	1560 / 61.4
4	Maximum height - Coupe	1287 / 50.6
4	Maximum height - Convertible	1296 / 51.0
4	Maximum height - XKRS	1277 / 50.3
5	*Minimum ground clearance (at gross vehicle weight)	100 / 4.0
6	Track - rear	1608 / 63.3
7	Wheelbase	2752 / 108.3
8	Overall length - XKRS	4804 / 189.0
8	Overall length - All other vehicles	4794 / 188.7
-	Turning circle (kerb to kerb)	10.9 m / 35.8 ft.



*XKRS has lower kerb and ramp clearance than XK and XKR. Take care when approaching low kerbs and steep ramps as these may cause damage to the lower parts of the bumper.