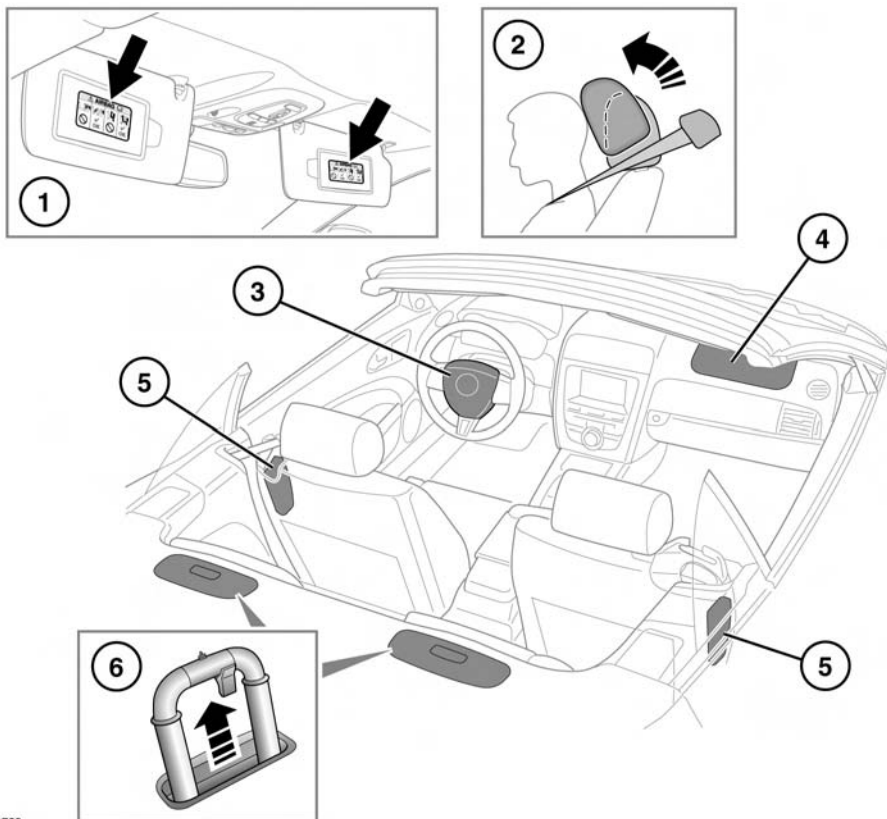


## AIRBAGS AND ACTIVE HEAD RESTRAINTS



SJ1729

1. Airbag warning information is printed on the driver and passenger sun visors.
2. On some vehicles, both front seats are equipped with Active Head Restraints (AHR), which reduce the risk of neck and spinal injury (whiplash) in the event of a rear impact, by moving the head restraint upwards and forwards, supporting the occupant's head.
3. Driver's airbag.
4. Front passenger airbag.
5. Seat mounted combined head and thorax side airbags.
6. Rollover Protection Device (RPD), convertible vehicles only, see **29, ROLLOVER BARS** and **176, ROLLOVER BARS**.

After activation, the whiplash protection mechanism resets automatically and does not need to be replaced.