

CLEANING THE INTERIOR

WARNING



Ensure that you read all of the information and instructions for use provided with cleaning products.

Some products contain substances that are harmful and can cause health problems if used incorrectly.

CAUTIONS



Some products, if used incorrectly can cause damage to the interior surfaces of the vehicle.



To prevent airbag damage, the steering wheel centre pad and other areas containing airbags should only be cleaned sparingly with a damp cloth, warm water and a non-detergent soap. Do not allow these areas to be flooded with chemical solvents, liquids, furniture cream or polishes.

Leather

Leather is easy to maintain, however, dust and substances can penetrate the pores and crease the leather, causing surface wear and brittleness.

To prevent ingrained dirt and staining, inspect the seat upholstery regularly and clean every one to two months as follows:

- Wipe off fine dust from the seat surfaces using a clean, damp, non-coloured cloth. Change frequently to a clean area of cloth to avoid abrasive action on the leather surface. Avoid over-wetting.
- If this is not sufficient, use a cloth which has been dampened with warm soapy water and then wrung out. Use only mild non-caustic soap.
- Use Jaguar Leather Cleaner for heavily soiled areas. Dry off and rub with a clean soft cloth, changing surfaces regularly.

When staining (e.g. from clothing) or spillage occurs, clean the affected area immediately as described above.

Use Jaguar Leather Cleaner several times a year to maintain its appearance and suppleness. The cleaner will nourish and moisturise and help to improve the surface protective film against dust and substances.

- Do not use solvents. Do not use detergents, furniture polish or household cleaners. While these products may initially give impressive results, their use will lead to rapid deterioration of the leather and will invalidate the warranty. Jaguar recommend a basic set of products that have been specially selected for the type of leather in your vehicle.
- Dark clothing may stain leather seats just like other upholstery products.
- Sharp objects such as belts, zip fasteners, rivets, etc. can leave permanent scratches and scratch marks on the leather surface.
- Unless spillages such as tea, coffee or ink are washed away immediately, permanent staining may have to be accepted.

If a valet service is used, ensure that the specialist concerned is aware of, and follows these instructions precisely.

Cloth and fabric

CAUTIONS

- ⚠ Never use soap, ammonia, bleach or other cleaners intended for use on hard surfaces.
- ⚠ Do not use upholstery cleaner on electrical equipment, such as facia switches.
- ⚠ When cleaning around electrical equipment such as switches, ensure that fluids do not leak into any gaps around the components or between panels or trim.

Use Jaguar Upholstery Cleaner, following the instructions. Avoid over-wetting.

Removing stains

Most stains on woollen fabric can be removed if treatment is carried out immediately, before the stain has a chance to dry-in.

Most stains can be treated with one of three cleaning fluids: Jaguar Upholstery Cleaner, dry cleaning fluid or clean water. Follow the instructions on the package.

Instrument pack, clock, and audio equipment

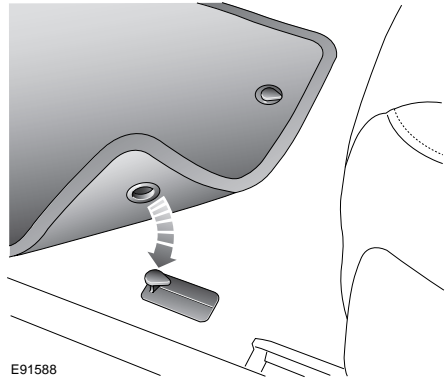
Only use a soft dry cloth to clean the instrument pack, clock, and audio equipment. Do not use cleaning fluids or sprays.

Carpet and mats

Marks or stains can be removed by gentle scrubbing, with a weak solution of soap and warm water.

For more stubborn stains, a commercially available carpet cleaner should be used.

Floor mat retention



E91588

The driver's floor mat must be correctly positioned and secured under the tongues on the retention posts (only one post shown). Ensure that the mat does not interfere with the operation of the accelerator or brake pedal.

Seat belts

WARNING



Do not allow any water, cleaning products or fabric from cloths to enter the seat belt mechanism. Any substance which enters the mechanism, may affect the performance of the seat belt in an impact.

Extend the seat belts fully, then use warm water and a non-detergent soap to clean. Allow the seat belts to dry naturally while fully extended.

Note: When cleaning the seat belt, take the opportunity to examine the webbing for damage and wear. Any wear or damage should be reported to, and rectified by, a Jaguar Dealer/Approved Repairer.