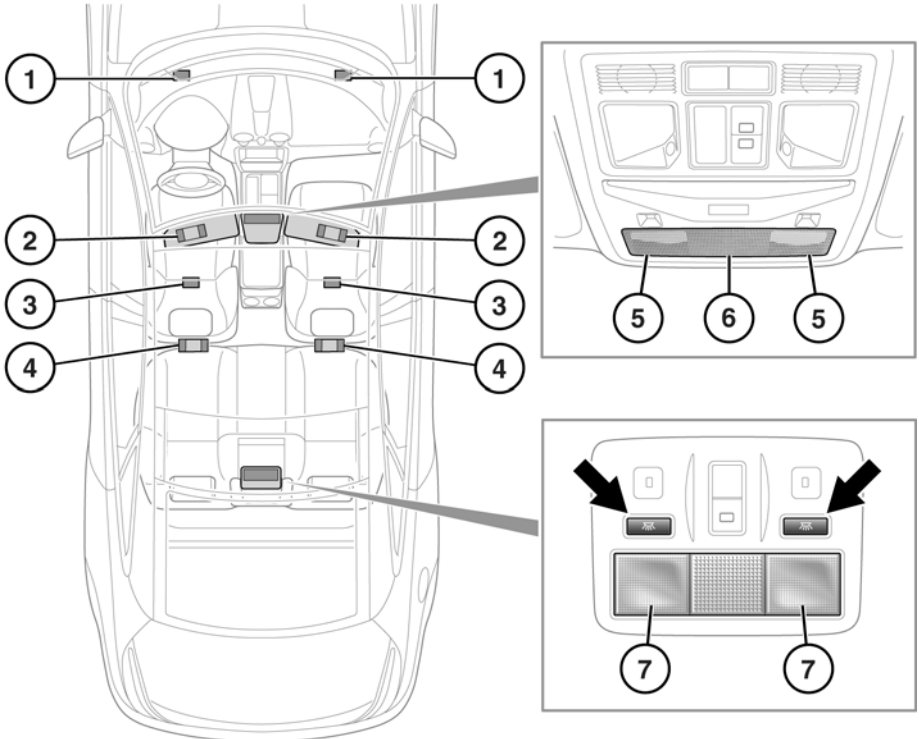


INTERIOR LIGHTS



SJ1007

1. Front seat footwell illumination.
2. Vanity mirror lamps.
3. Rear seat footwell illumination.
4. Rear vanity mirror lamps (long wheelbase vehicles only)
5. Front reading lamps: Touch the lens briefly to switch on/off or for approximately 2 seconds to switch automatic illumination of the rear interior lamps on/off.
6. Front interior courtesy lamp: Illuminates when the doors are unlocked and extinguishes 20 seconds after all doors are closed or when the vehicle is locked.

The lamps are operated by proximity sensors. Move your finger close to (or touch) the appropriate lens to switch on/off. Touch the lens for 2 seconds to switch automatic illumination on/off (**Manual mode** or **Auto mode** is displayed in the message centre accordingly).

7. Rear interior and reading lamps: Switch on automatically when the doors are opened. Press the appropriate switch to activate a lamp manually