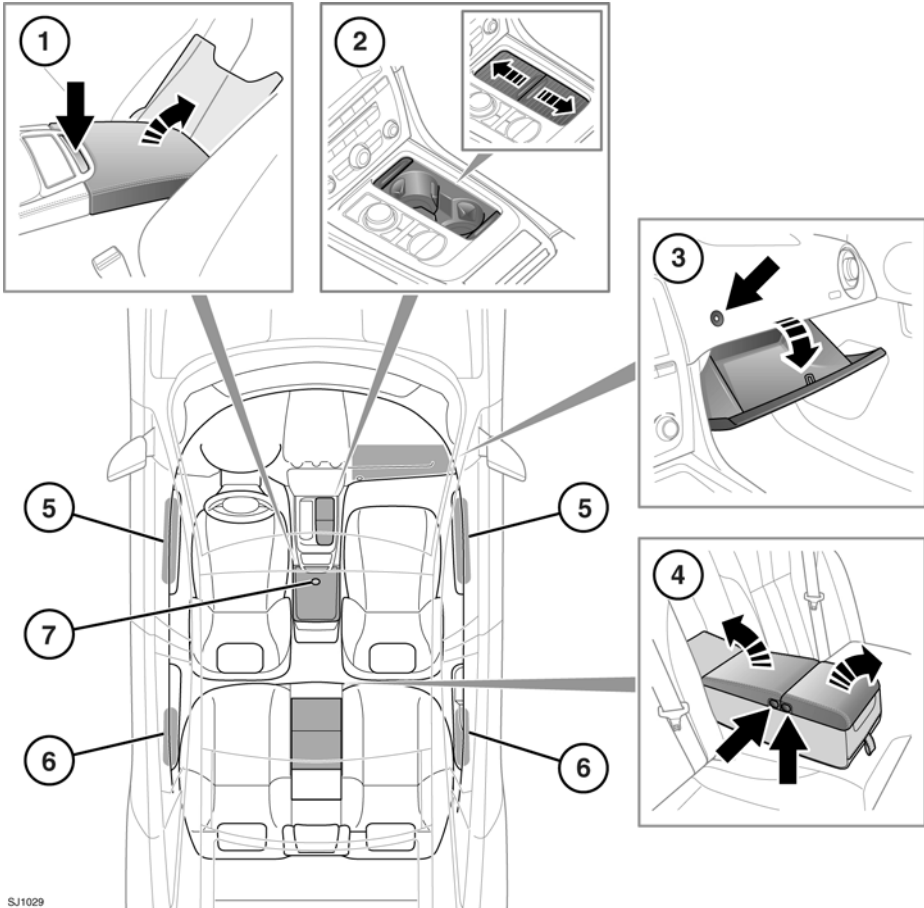


# Storage compartments

## STORAGE COMPARTMENTS



1. Cubby box.

2. Cup holders.



**Do not drink, or use the drinks holders when driving.**

3. Glove box. Open using the glove box release (arrowed).

**Note:** When Valet mode is selected the glove box release is disabled.

4. Rear armrest cubby box.

5. Front door stowage.

6. Rear door stowage.

7. Auxiliary power socket.



Only use approved accessories.