

Menu navigation

A large number of your phone's options are accessed by using menus which use a common approach for selection, change and cancellation.

Please read this section carefully before attempting to access a menu option. When you understand the common approach to menu navigation and how the menus are shown on the page, you will be able to access and change options with ease.

Entering the menus

Two different keys are used to access the menus:

enters the Options menu whilst in standby mode;

enters the Quick Access menu

Once entered, the menus use the , , and keys in a common manner to access, select and change individual options.

Leaving the menus

To leave any of the menus, you can either press and hold the key or repeatedly press the key. Both of these actions will return your phone to the standby mode.

Alternatively, a quicker way to leave the menus is to press .

Menus and sub-menus

A menu is a simple list of options. Some of these options provide access to a further list of options called a sub-menu. When navigating through the menus you may find it is helpful to think in terms of menu levels – the 'parent' menu being on one level and its sub-menus being on a lower level.

Moving to and selecting a menu option

To move from one option to another on the same level, use the scroll key ; press the bottom half to scroll forwards and press the top half to scroll backwards. When you find the option you want, press the key to select it.

Depending on the option you select, one of three things will happen:

- either a brief message will be displayed confirming an action, for example **Compl et ed**.
- or a prompt will be displayed requesting you to enter information, for example **Ent er PIN** or **Ent er Name**.
- or the first option of a sub-menu will be displayed. You can select this option using the key or browse through the other options using the scroll keys.

To leave an option or sub-menu, press the key. This will take you back to the parent menu item.

Menu options with security codes

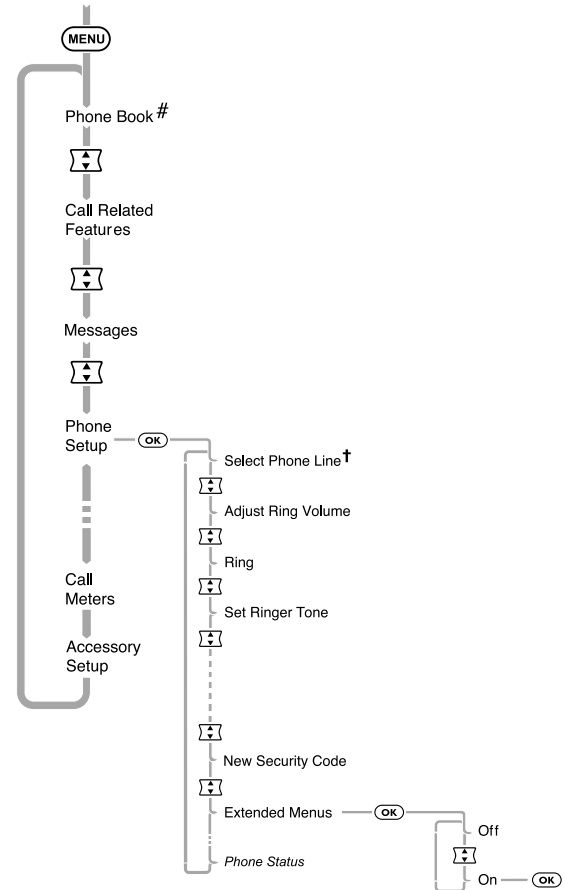
Some options are protected from misuse by requiring you to enter one of the security codes. To use these options, you must enter the requested code before proceeding.

6-2 Handset introduction

Menu navigation – a working example

The following steps will take you through how to switch the Extended Menu option on:

1. When the phone is in the standby mode, press the **MENU** key. This will access the Options menu and Phone Book will be displayed.[#]
2. Press the **DOWN** key repeatedly until the Phone Setup sub-menu item is shown in the display.
3. Press the **OK** key to select the sub-menu.
4. Press the **DOWN** key repeatedly until the Extended Menus sub-menu item is shown in the display.
5. Press the **OK** key to select this item. You can now select between On or Off, the current setting will be shown with a character. If the character is next to Off, press **DOWN** and then **OK** to switch on the Extended Menus. If the character is next to On, press **OK** to leave the setting as it is.



[#] If your service provider has added their own menu, the Phone Book menu will not be the first item in the Options menu.

[†] Availability depends on the type and settings of the SIM card, and/or your subscription to these features.

Short, extended and personalised menus

With *Personality*[™] you can personalise the menus by choosing which features you want readily available. The features that are less frequently used can be stored out of sight.

The menu diagrams in this manual show the condition of the menu settings when you first receive your phone. Some features are in the Short Menu and are shown in **bold** type. Other features are in the Extended Menu and appear in *italics*.

You can change which features appear in the Short and Extended Menus, and therefore personalise the menus, to suit your requirements.

If you want to move a feature from the Short Menu to the Extended Menu (or from the Extended Menu to the Short Menu), go to the feature and then hold down the key until a prompt appears offering the following choices:

- Add the current feature to the Short Menu/Extended Menu.
- Leave the current feature in the Short/Extended Menu.

Select the option you want by pressing the key.

The settings for some menu features cannot be changed.



JAGUAR