



XF

OWNER'S HANDBOOK

Publication Part No. **JJM 10 02 40 901**

This handbook forms part of the Owner literature supplied with your vehicle. Right-hand drive and left-hand drive situations are shown in the graphics and where information is specific to a particular country, it is indicated as such.

Please take the time to study the operating instructions with your vehicle as soon as you can.

Important

The information contained in this handbook covers all vehicle derivatives and optional equipment. Some of the options will not be fitted to your vehicle unless they formed part of the original vehicle specification. Therefore, some parts of this handbook may not apply to your vehicle. Furthermore, due to printing cycles, it may include descriptions of options before they become generally available.

The options, hardware and software in your vehicle are from the available specifications for the market in which the vehicle was intended for sale. If your vehicle is to be used in another geographical area, you may have to modify the vehicle specification to suit local conditions. Jaguar Cars is not responsible for the cost of any modifications.

The information contained in this publication was correct when it went to print. Vehicle design changes may have been made after this handbook was printed. When this occurs a handbook supplement is added to the literature pack. Subsequent updates can be viewed on the Jaguar Cars internet site at <http://www.ownerinfo.jaguar.com>.

In the interest of development, the right is reserved to change specifications, design or equipment at any time without notice and without incurring any obligations. This publication, or part thereof, may not be produced nor translated without our approval. Errors and omissions excepted.

©Jaguar Cars Limited 2008.

All rights reserved.

Published by **Jaguar Cars Limited**.

Contents

Introduction

SYMBOLS GLOSSARY	9
LABEL LOCATIONS	9
HEALTH AND SAFETY	10
DATA RECORDING	11
DISABILITY MODIFICATIONS	11
FACIA AND CONTROLS	12
PARTS AND ACCESSORIES	14

Keys and remote controls

PRINCIPLE OF OPERATION	16
GENERAL INFORMATION ON RADIO FREQUENCIES	16
USING THE REMOTE CONTROL	17
UNLOCKING AND DISARMING THE VEHICLE	18
LOCKING AND ARMING THE VEHICLE	19
DOCKING/UNDOCKING THE JAGUAR SMART KEY	20
PROGRAMMING THE REMOTE CONTROL	21
CHANGING THE REMOTE CONTROL BATTERY	24
EMERGENCY KEY BLADE	25

Locks

LOCKING AND UNLOCKING	26
USING THE EMERGENCY KEY BLADE	28
VALET MODE	30
JAGUAR SMART KEY SYSTEM TRANSMITTERS	32
KEYLESS ENTRY	33
GLOBAL OPENING AND CLOSING	35

Alarm

ARMING THE ALARM	37
DISARMING THE ALARM	38
SECURITY SENSORS	39

Seats

SITTING IN THE CORRECT POSITION	41
ELECTRIC SEATS	42
HEAD RESTRAINTS	44
REAR SEATS	45
HEATED SEATS	47
VENTILATED SEATS	47

Seat belts

PRINCIPLE OF OPERATION	49
SEAT BELT REMINDER	50
USING SEAT BELTS DURING PREGNANCY	51
FASTENING THE SEAT BELTS	51
SEAT BELT HEIGHT ADJUSTMENT	52

Supplementary restraints system

PRINCIPLE OF OPERATION	53
AIRBAG WARNING LAMP	57
WHIPLASH PROTECTION	57
AIRBAG LABELS	58
AIRBAG SERVICE INFORMATION	58

Child safety

CHILD SEATS	59
CHILD SEAT POSITIONING	60
BOOSTER CUSHIONS	61
CHILD SEAT ANCHOR POINTS	62
CHILD SAFETY LOCKS	65

Pedestrian protection

PRINCIPLE OF OPERATION	66
AFTER DEPLOYMENT OF THE PEDESTRIAN PROTECTION SYSTEM	66

Steering wheel

ADJUSTING THE STEERING WHEEL	67
HORN	68
HEATED STEERING WHEEL	68
AUDIO CONTROL	69
VOICE CONTROL	69
CRUISE CONTROL	74

Contents

Lighting

LIGHTING CONTROL	75
AUTOLAMPS	76
REAR FOG LAMPS.....	77
HAZARD WARNING FLASHERS.....	77
DIRECTION INDICATORS	78
HEADLAMPS - DRIVING ABROAD	78
HEADLAMP LEVELLING	79
CORNERING OR STATIC BENDING LAMPS....	79
INTERIOR LAMPS	80
APPROACH LAMPS.....	81
REMOVING A HEADLAMP	81
REMOVING A REAR LAMP	82
CHANGING A BULB	83
HEADLAMP UNIT BULBS	83
REAR LAMP BULBS	85
SIDE REPEATER LAMP	86
BULB SPECIFICATION CHART.....	87

Wipers and washers

WINDSCREEN WIPERS	88
RAIN SENSOR	89
WINDSCREEN WASHERS.....	89
HEADLAMP WASHERS.....	90
CHECKING THE WIPER BLADES	91
CHANGING THE WIPER BLADES.....	91

Windows and mirrors

ELECTRIC WINDOWS.....	93
INTERIOR MIRROR	94
EXTERIOR MIRRORS	95
BLIND SPOT MONITOR	97

Instruments

INSTRUMENT PANEL OVERVIEW	99
WARNING LAMPS AND INDICATORS	100
AUDIBLE WARNINGS AND INDICATORS	104

Information displays

GENERAL INFORMATION	105
WARNING AND INFORMATION	
MESSAGES.....	105
TRIP COMPUTER	106
TOUCH-SCREEN.....	109
PERSONALISED SETTINGS.....	111

Climate control

AIR VENTS	115
AUTOMATIC CLIMATE CONTROL	116
ELECTRIC SUNROOF.....	120

Convenience features

SUN VISORS	122
SUN BLINDS	122
INSTRUMENT LIGHTING DIMMER	122
CLOCK.....	123
AUXILIARY POWER SOCKETS	124
GLOVE BOX.....	124
CUP HOLDERS.....	125
STORAGE COMPARTMENTS.....	126
GARAGE DOOR TRANSCEIVER.....	127
PORTABLE AUDIO INTERFACE	130

Starting the engine

GENERAL INFORMATION.....	131
KEYLESS STARTING	132
SWITCHING OFF THE ENGINE.....	133
DIESEL PARTICULATE FILTER (DPF).....	133

Transmission

AUTOMATIC TRANSMISSION.....	135
-----------------------------	-----

Brakes

PRINCIPLE OF OPERATION	142
HINTS ON DRIVING WITH ABS	142
ELECTRIC PARKING BRAKE (EPB)	144

Parking aid

PRINCIPLE OF OPERATION	146
USING THE PARKING AID.....	146

Rear view camera

PRINCIPLE OF OPERATION	150
------------------------------	-----

Driving hints

RUNNING-IN	151
ECONOMICAL DRIVING	152

Cruise control

PRINCIPLE OF OPERATION	153
USING CRUISE CONTROL.....	153

Contents

Adaptive cruise control (ACC)

PRINCIPLE OF OPERATION	156
USING ACC	156
FORWARD ALERT FUNCTION	161

Automatic speed limiter (ASL)

PRINCIPLE OF OPERATION	163
USING THE ASL	163

Driving dynamics

GENERAL INFORMATION	165
WINTER MODE	165
DYNAMIC MODE	166
STABILITY CONTROL	166

Fuel and refuelling

SAFETY PRECAUTIONS	170
FUEL QUALITY	170
RUNNING OUT OF FUEL	172
FUEL CUT-OFF	173
FUEL FILLER FLAP	174
REFUELLING	175

Load carrying

GENERAL INFORMATION	177
LUGGAGE ANCHOR POINTS	177
REAR UNDER FLOOR STORAGE	177

Towing

TOWING A TRAILER	178
LEVELLING	179
RECOMMENDED TOWING WEIGHTS	180
ESSENTIAL TOWING CHECKS	180
TOW BAR	181

Vehicle care

CLEANING THE ALLOY WHEELS	182
CLEANING THE EXTERIOR	182
CLEANING THE INTERIOR	184
REPAIRING MINOR PAINT DAMAGE	186

Maintenance

GENERAL INFORMATION	187
OPENING AND CLOSING THE BONNET	190
ENGINE COMPARTMENT OVERVIEW	191
ENGINE OIL CHECK	192
ENGINE COOLANT CHECK	195
BRAKE FLUID CHECK	197
POWER STEERING FLUID CHECK	199
WASHER FLUID CHECK	200
TECHNICAL SPECIFICATIONS	201

Vehicle battery

BATTERY WARNING SYMBOLS	203
BATTERY CARE	203
USING BOOSTER CABLES	205
CHARGING THE VEHICLE BATTERY	206
CHANGING THE VEHICLE BATTERY	206

Wheels and tyres

GENERAL INFORMATION	207
TYRE CARE	208
USING WINTER TYRES	214
USING SNOW CHAINS	214
RUN FLAT TYRES	215
TOOL KIT	215
CHANGING A ROAD WHEEL	216
TYRE REPAIR KIT	220
TYRE PRESSURE MONITORING SYSTEM	225
TYRE GLOSSARY	229
TYRE SPECIFICATIONS - ARDUOUS TERRAIN	230

Fuses

CHANGING A FUSE	232
FUSE BOX LOCATIONS	233
FUSE SPECIFICATION CHART	236

Emergency equipment

HAZARD WARNING FLASHERS	241
WARNING TRIANGLE	241
FIRST AID KIT	241
FIRE EXTINGUISHER	241

Contents

Status after a collision

DRIVING AFTER A COLLISION	242
INSPECTING SAFETY SYSTEM COMPONENTS.....	243

Vehicle recovery

TOWING POINTS	244
TRANSPORTING THE VEHICLE	245
TOWING THE VEHICLE ON FOUR WHEELS	247

Vehicle identification

ENGINE NUMBER	248
TRANSMISSION NUMBER	248
VEHICLE IDENTIFICATION PLATE	248
VEHICLE IDENTIFICATION NUMBER (VIN)...	248
VEHICLE BUILD DATE PLATE.....	248

Technical specifications

ENGINE SPECIFICATIONS	249
WEIGHTS.....	250
DIMENSIONS.....	251

Type approvals

DECLARATIONS OF CONFORMITY	253
----------------------------------	-----

Audio introduction

RADIO RECEPTION.....	259
----------------------	-----

Audio unit overview

AUDIO UNIT OVERVIEW.....	260
--------------------------	-----

Audio unit operation

ON/OFF CONTROL	262
VOLUME CONTROL	262
AUDIO CONTROL	263
WAVEBAND BUTTON	265
AUTOSTORE CONTROL	265
STATION PRESET BUTTONS	266
TRAFFIC INFORMATION CONTROL	267

Audio unit menus

RADIO DATA SYSTEM (RDS).....	268
PRIORITY PROGRAMME TYPE (PTY)	269

Digital audio broadcasting

GENERAL INFORMATION.....	271
AUDIO CONTROLS	273
DISPLAY OPTIONS	274
CHANNEL AUTOMATIC TUNING	275
CHANNEL OPTIONS	275
PRESET BUTTONS	278
SETTINGS	279

Compact disc player

LOADING COMPACT DISCS	283
EJECTING COMPACT DISCS	284
COMPACT DISC SELECTION.....	285
TRACK SELECTION	285
COMPACT DISC PAUSE	286
SHUFFLE/RANDOM	286
REPEAT COMPACT DISC TRACKS	286
COMPACT DISC DISPLAY OPTIONS.....	287
MP3 FILE PLAYBACK.....	287

Auxiliary connections

AUXILIARY CONNECTIONS.....	289
AUXILIARY INPUT DEVICES	291

Telephone

GENERAL INFORMATION.....	296
TELEPHONE PAIRING AND DOCKING	298
VOICE MAIL	302
ANSWER OPTIONS	303
PHONE OPTIONS	303
PHONEBOOK.....	304
MAKING A CALL.....	306
NAMES.....	307
LAST 10 OPTION.....	309
HANDS-FREE CONTROLS	310
OTHER FEATURES	311
TELEPHONE VOICE CONTROL	312

Television

GENERAL INFORMATION.....	317
TELEVISION CONTROLS	318
USING THE TELEVISION	319
FINDING TV CHANNELS	320
TELEVISION SETUP	321

Contents

Navigation system

THE NAVIGATION SYSTEM.....	323
SATELLITE SIGNALS.....	323
GETTING STARTED.....	325
MENU STRUCTURE.....	326
MAIN MENU.....	327
USER SETTINGS.....	327
LANGUAGE SELECTION.....	328
MEASUREMENT UNITS.....	329
KEYBOARD LAYOUT.....	329
MAP SPLIT SCREEN.....	330
MAP DISPLAY ICONS.....	331
SETTING A DESTINATION.....	333
ROUTE PREFERENCES.....	336
START GUIDANCE.....	336
VOICE GUIDANCE.....	338
CANCEL GUIDANCE.....	339
QUICK POI SELECTION.....	339
CALIBRATION.....	340
RESTORE SYSTEM DEFAULTS.....	341
LANGUAGE SELECTION.....	342
MEMORY.....	342
AVOID POINTS.....	344
HOME.....	344
DESTINATION ENTRY.....	345
POSTCODE.....	346
MAP.....	346
COORDINATES.....	346
MEMORY.....	347
PREVIOUS.....	347
MOTORWAY.....	348
COMPASS.....	349
POINTS OF INTEREST.....	351
POI ICON DISPLAY.....	352
CANCELLING POI ICON DISPLAY.....	354
JAGUAR DEALERSHIP LOCATIONS.....	354
ENTRY BY TOWN.....	354
ENTRY BY CATEGORY.....	354
OTHER SELECTION METHODS.....	355
CATEGORIES AND SUB-CATEGORIES.....	355
POI ENTRY MESSAGES.....	355
QUICK POI SELECTION.....	355
SELECTING A QUICK POI CATEGORY.....	356
MEMORY POINTS.....	356
RDS-TMC OVERVIEW.....	357
USING TMC.....	359
SURVEILLANCE SETTING.....	361
USING VOICE CONTROL.....	362
NAVIGATION SYSTEM VOICE COMMANDS.....	363
ORDNANCE SURVEY DATA.....	367
NAVTEG CORPORATION.....	368
EUROPEAN DECLARATION OF CONFORMITY.....	369

Introduction

SYMBOLS GLOSSARY

Warnings

WARNING



Safety warnings are included in this handbook. These indicate either a procedure which must be followed precisely, or information that should be considered with great care in order to avoid the possibility of personal injury.

Cautions

CAUTION



Cautions are included in this handbook. These indicate either a procedure which must be followed precisely, or information that should be considered with great care in order to avoid the possibility of damage to your vehicle.

Symbols



This recycling symbol identifies those items that must be disposed of safely in order to prevent unnecessary damage to the environment.



This symbol identifies those features that can be adjusted, disabled or enabled by your Dealer/Authorised Repairer.

LABEL LOCATIONS



Warning labels attached to your vehicle bearing this symbol mean: Do not touch or adjust components until you have read the relevant instructions in the handbook.



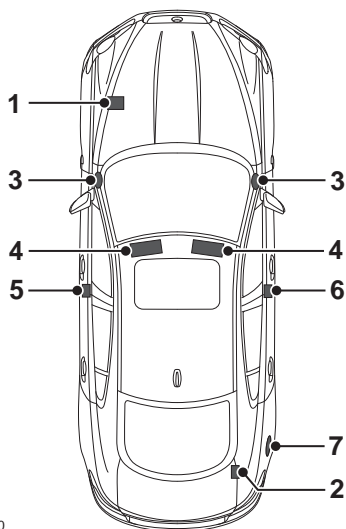
Labels showing this symbol indicate that the ignition system utilises very high voltages. Do not touch any ignition components while the starter switch is turned on.

Introduction

Warning labels

Labels are attached to your vehicle at several positions. These are applied to draw your attention to important subjects, e.g. tyre pressures, tow bar use, airbags, roll-over risk, engine compartment hazards, etc.

Additional information labels may also be found at these locations.



E95340

1. Left-hand front suspension tower - Air conditioning label
2. Top face of battery - Battery warning symbols
3. End of facia (passenger side) - Passenger airbag label
4. Sun visor - Airbag label
5. Base of left-hand C pillar - Tyre pressure label, Airbag warning label, Vehicle Identification Number label
6. Right-hand B pillar - Vehicle Identification Number label (China)
7. Inner face of fuel filler flap - Fuel specification label

It is important that you are familiar with these subjects to ensure that your vehicle and its features are used safely. Using the index at the back of this handbook, refer to the relevant topic for more information.

HEALTH AND SAFETY

WARNINGS



The vehicle should not be parked over long dry grass or other combustible material, particularly during dry weather. As the heat generated by the exhaust and emission control systems may be sufficient to start a fire.



Before exiting the vehicle, ensure that **P** park is selected and the park brake applied. When exiting the vehicle, ensure that the Jaguar Smart Key is removed from the vehicle.

Introduction

DATA RECORDING

Service data recording

Service data recorders in your vehicle are capable of collecting and storing diagnostic information about your vehicle. This potentially includes information about the performance or status of various systems and modules in the vehicle such as engine, throttle, steering or brakes.

In order to properly diagnose and service your vehicle, Jaguar service and repair facilities may access vehicle diagnostic information through a direct connection to your vehicle.

Event data recording

This vehicle is equipped with an Event Data Recorder (EDR). The main purpose of an EDR is to record, in certain crash or near crash-like situations, such as an air bag deployment or hitting a road obstacle, data that will assist in understanding how a vehicle's systems performed. The EDR is designed to record data related to vehicle dynamics and safety systems for a short period of time, typically 30 seconds or less. The EDR in this vehicle is designed to record such data as:

- How various systems in your vehicle were operating.
- Whether or not the driver and passenger safety belts were buckled/fastened.
- How far (if at all) the driver was depressing the accelerator and/or the brake pedal.
- How fast the vehicle was travelling.
- The rotational position of the steering wheel.

These data can help provide a better understanding of the circumstances in which crashes and injuries occur.

***Note:** EDR data are recorded by your vehicle only if a non-trivial crash situation occurs; no data are recorded by the EDR under normal driving conditions and no personal data (e.g. name, gender, age and crash location) are recorded. However, other parties, such as law enforcement, could combine the EDR data with the type of personally identifying data routinely acquired during a crash investigation.*

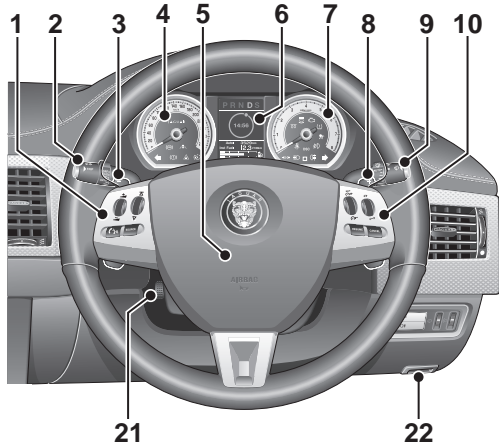
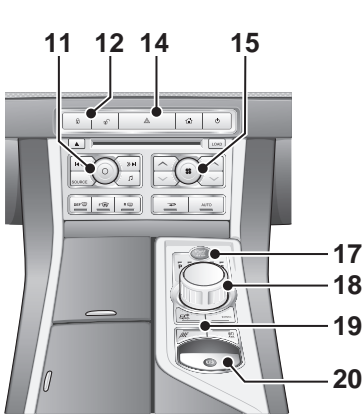
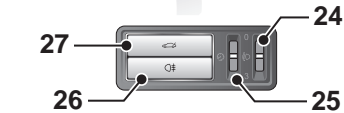
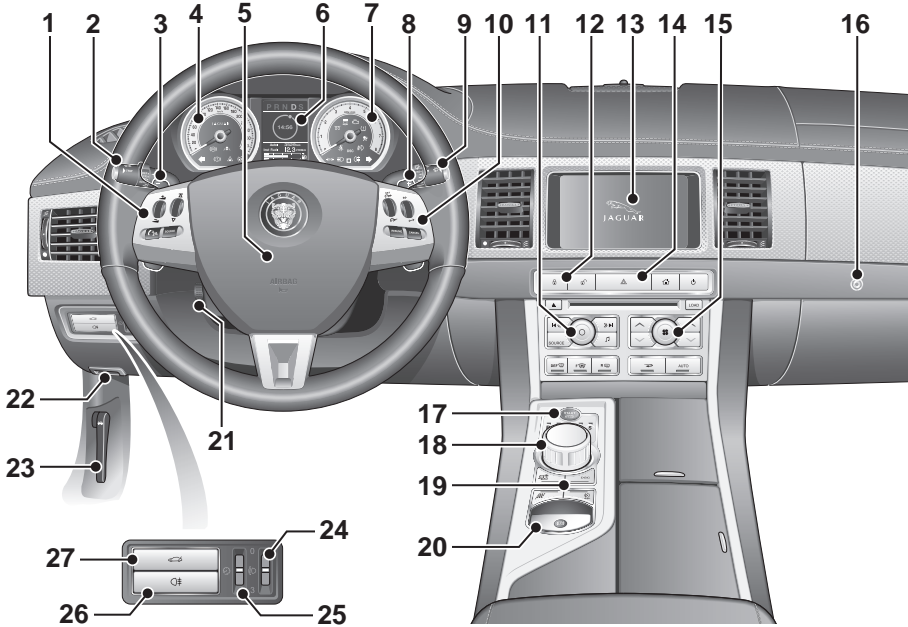
To read data recorded by an EDR, special equipment is required, and access to the vehicle or the EDR is needed. In addition to the vehicle manufacturer, other parties, such as law enforcement, that have the special equipment, can read the information if they have access to the vehicle or the EDR.

DISABILITY MODIFICATIONS

Occupants with disabilities which may require modification of the vehicle, must contact a Dealer/Authorised Repairer before any modifications are made.

Introduction

FACIA AND CONTROLS



JAG1330

Introduction

1. Steering wheel audio controls. See **AUDIO CONTROL** (page 69).
2. External lamp controls. See **LIGHTING CONTROL** (page 75).
3. Sequential gear change down paddle. See **AUTOMATIC TRANSMISSION** (page 135).
4. Speedometer. See **INSTRUMENT PANEL OVERVIEW** (page 99).
5. Driver's horn and airbag. See **HORN** (page 68). See **Supplementary restraints system** (page 53).
6. Message centre. See **WARNING AND INFORMATION MESSAGES** (page 105).
7. Tachometer. See **INSTRUMENT PANEL OVERVIEW** (page 99).
8. Sequential gear change up paddle. See **AUTOMATIC TRANSMISSION** (page 135).
9. Wiper and washer control. See **Wipers and washers** (page 88).
10. Cruise control and Adaptive cruise control steering wheel controls. See **Cruise control** (page 153). See **Adaptive cruise control (ACC)** (page 156).
11. Audio control panel. See **Audio unit overview** (page 260).
12. Facia lock/unlock buttons. See **LOCKING AND UNLOCKING** (page 26).
13. Touch-screen. See **TOUCH-SCREEN** (page 109).
14. Hazard warning lamp switch. See **HAZARD WARNING FLASHERS** (page 77).
15. Climate control panel. See **Climate control** (page 115).
16. Glove box proximity sensor. See **GLOVE BOX** (page 124).
17. Engine START/STOP switch. See **Starting the engine** (page 131).
18. JaguarDrive gear selector. See **AUTOMATIC TRANSMISSION** (page 135).
19. JaguarDrive mode selectors. See **Driving Dynamics** (page 165).
20. Electric Parking Brake (EPB). See **ELECTRIC PARKING BRAKE (EPB)** (page 144).
21. Steering wheel adjustment control. See **ADJUSTING THE STEERING WHEEL** (page 67).
22. Starter control docking unit for the Jaguar Smart Key. See **DOCKING/UNDOCKING THE JAGUAR SMART KEY** (page 20).
23. Bonnet release lever. See **OPENING AND CLOSING THE BONNET** (page 190).
24. Headlamp levelling control. See **HEADLAMP LEVELLING** (page 79).
25. Instrument lighting dimmer control. See **INSTRUMENT LIGHTING DIMMER** (page 122).
26. Rear fog lamps switch. See **REAR FOG LAMPS** (page 77).
27. Luggage compartment release switch. See **LOCKING AND UNLOCKING** (page 26).

Introduction

PARTS AND ACCESSORIES

WARNINGS



Do not fit non-approved parts and accessories or carry out non-approved alterations or conversions. It may be dangerous and could affect the safety of the vehicle and occupants. Also, the terms and conditions of the vehicle warranty may be invalidated.



Jaguar will not accept any liability for death, personal injury or damage to property which may occur as a direct result of fitment of non-approved accessories or the carrying out of non-approved conversions to Jaguar vehicles.



Jaguar strongly advise against making any modifications to the suspension or steering system. This could seriously affect the handling and stability of the vehicle leading to loss of control or roll-over.

The vehicle has been designed, built and tested, to cope with a variety of driving conditions, some of which can place the severest possible demands on control systems and components. As such, fitting replacement parts and accessories that have been developed and tested to the same stringent standards as the original components, will safeguard the continued reliability, safety and performance of your vehicle.

To augment the vehicle's already impressive performance, a comprehensive range of Jaguar approved spare parts and accessories is available.

Jaguar parts are the only parts built to original equipment specifications and approved by Jaguar designers; this means that every single part and accessory has been rigorously tested by the same engineering team that designed and built the vehicle.

A full list and description of all accessories is available from your Dealer/Authorised Repairer.

Electrical equipment

WARNING



It is extremely hazardous to fit or replace parts or accessories, the installation of which requires the dismantling of, or addition to, either the electrical or fuel systems.

Always consult your Dealer/Authorised Repairer before fitting any accessory.

Fitting inferior quality parts or accessories, may be dangerous and could invalidate the vehicle warranty.

It is recommended that you always consult your Dealer/Authorised Repairer for advice regarding the approval, suitability, installation and use of any parts or accessories before fitting.

Introduction

Airbag system

WARNING

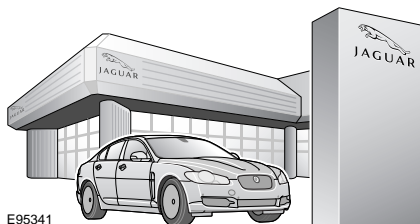


The components that make up the airbag system are sensitive to electrical or physical interference, either of which could easily damage the system and cause inadvertent operation or a malfunction of the airbag module.

To prevent malfunction of the airbag system always consult your Dealer/Authorised Repairer before fitting any of the following:

- Electronic equipment such as a mobile phone, two-way radio or in-car entertainment system.
- Accessories attached to the front of the vehicle.
- Any modification to the front of the vehicle.
- Any modification involving the removal or repair of any wiring or component in the vicinity of any of the airbag system components, including the steering wheel, steering column, instrument or facia panels.
- Any modification to the facia panels or steering wheel.

After-sales service



The After Sales Parts service is of paramount importance, with franchised representation in over 100 countries worldwide, Jaguar are able to support your vehicle wherever you go.

Travelling abroad

In certain countries, it is a legal requirement to fit parts made to the vehicle manufacturers' specification.

Owners should ensure that any parts or accessories fitted to the vehicle while travelling abroad, will also conform to the legal requirements of their own country when they return home.