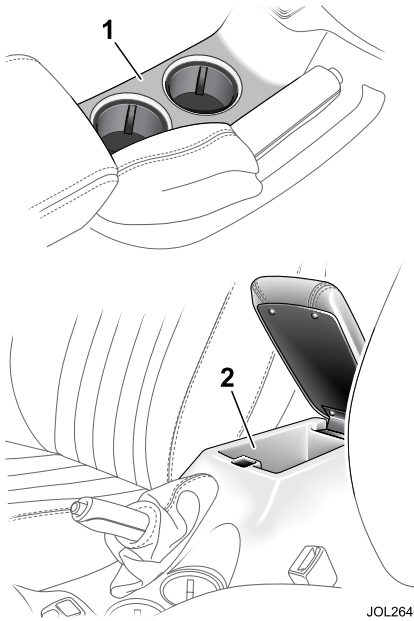


Interior Features

CUPHOLDERS



The centre console contains two cupholders (1).



WARNING:

Do not place hot drinks in the cupholders whilst the vehicle is moving; there is a risk of scalding.

Lift the front of the hinged armrest to gain access to the cubby box (2). Where fitted, the cubby box contains a storage rack for audio CDs or cassettes.

GLOVE COMPARTMENT

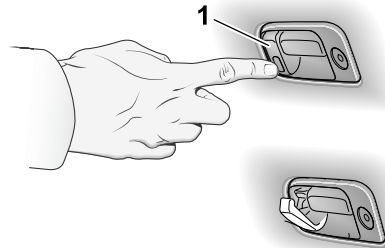
A glove compartment is located below the passenger's airbag.

To open the glove compartment, lift the handle and allow the lid to drop down. The compartment will be illuminated when open, provided the sidelights are switched on.

If the compartment is left open the light will extinguish approximately 30 minutes after the ignition has been set to position 0.

The glove compartment can be locked using an ignition key.

Light-weight luggage hook

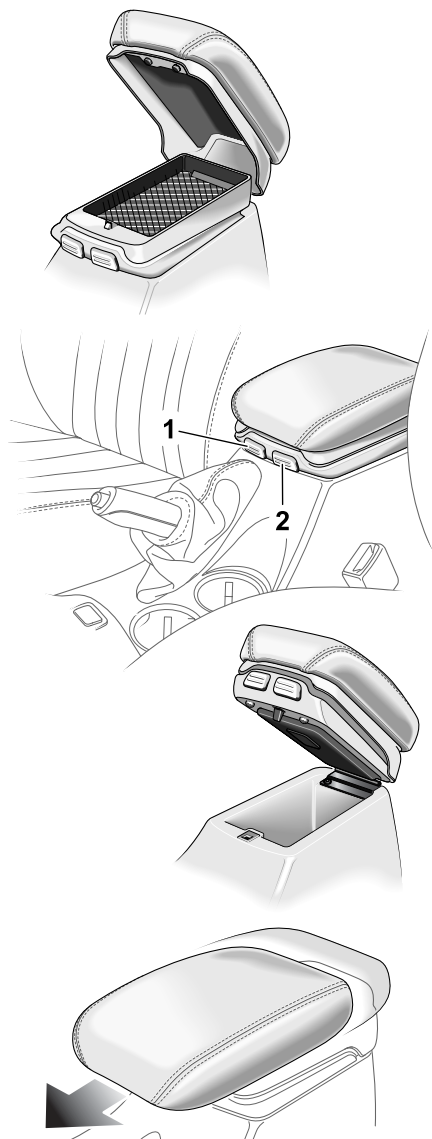


A hook for holding light-weight items such as a handbag, purse or small shopping bag is fitted beside the glove compartment lid release catch. Press the lower part of the hook (1) to lower the hook. Fold the hook back into the lid after use.

Interior Features

SLIDING ARMREST

(Where fitted)



JOL3516

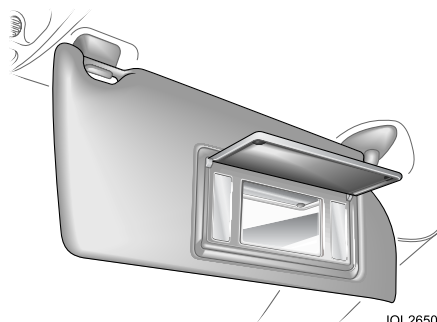
The sliding armrest is hinged at the rear and has two release buttons located on the front of the armrest.

Press the right-hand button (1) and lift the top of the armrest to gain access to the top storage compartment.

Press the left-hand button (2) and lift the complete armrest to gain access to the centre console cubby box compartment. Where fitted, the cubby box contains a storage rack for audio CDs or cassettes.

Pull the top of the armrest forwards or push rearwards to slide the armrest to a comfortable position.

SUN VISORS AND VANITY MIRRORS



JOL2650

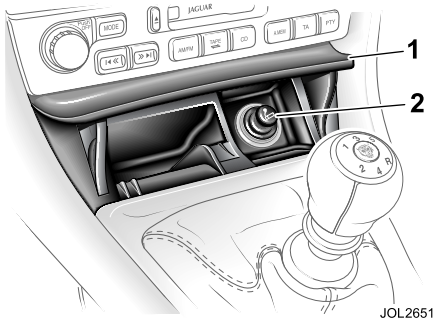
Adjustable sun visors can be swung downwards or unclipped and swung sideways to reduce sun glare.

The sun visors are fitted with illuminated vanity mirrors, behind a hinged flap. The light comes on when the flap is lifted.

Interior Features

CIGAR LIGHTER AND ASHTRAY

(Where fitted)



To gain access to the cigar lighter and ashtray, press the lid (1) at the bottom edge, close to the chrome indicator.

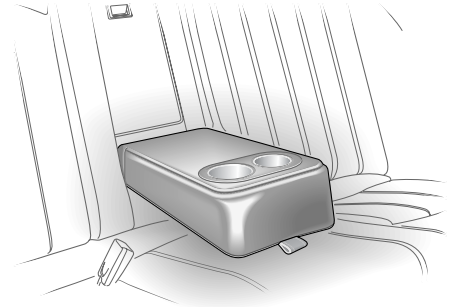
To operate the cigar lighter (2) the ignition must be on, press the lighter down and wait until the element has heated, it will then pop-up.

Note: Never hold the lighter knob down. Do not attempt to remove particles from the heating element as it is self-cleaning.

To empty the ashtray, lift it out vertically and remove. After emptying, push the ashtray into the opening until it snaps back into place.

The cigar lighter is replaced by a 12 volt accessory socket on certain models.

REAR CENTRE ARMREST



Pull the loop on the rear centre armrest to lower. If not required, raise the armrest to its upright position and push firmly into place. Ensure that the armrest is raised when lowering the seat back to increase the luggage compartment area.



WARNING:
Never carry hot liquids in the cupholder whilst the vehicle is moving. If the contents spill, occupants could be scalded. Use only soft cups and cool liquids.