

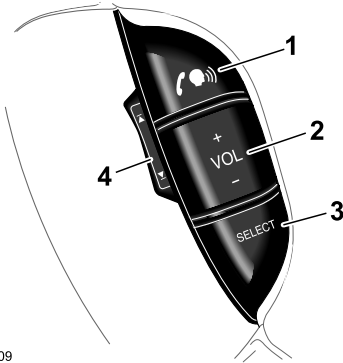
Hands-free Controls

STEERING WHEEL CONTROLS

The XJ, X-TYPE and S-TYPE

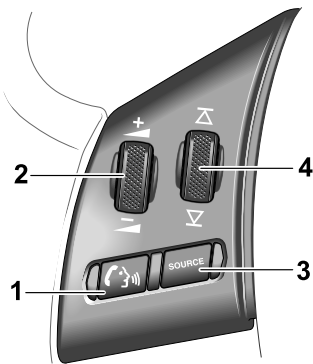
Four system control switches are situated on the left-hand side of the steering wheel, duplicating the functions of buttons on the audio panel. These switches provide finger-tip control of audio, telephone and voice activation systems whilst driving.

The XJ and S-TYPE only



JOL3409

X-TYPE only



JOL2540

The following table describes the functions of the steering wheel controls for the XJ, S-TYPE and X-TYPE.

Switch	Function
1	Start voice function, or mute where voice not fitted. Answer phone call when ringing. Send/End when in Phone Mode.
2	Increase/decrease volume.
3	Hold for 2 seconds to select Phone Ready mode. Press and release to cycle through FM, AM, cassette, CD or MD and CD Changer.
4	In Phone Mode, scroll through stored numbers. In Audio mode, scroll through radio stations or CD/MD tracks. Press and hold to select next strong radio station, next CD or change cassette side.

Note: For X-TYPE, switches 2 and 4 are part-rotating switches that self-centre when released. For XJ and S-TYPE, switches 2 and 4 are rocker switches.

Hands-free Controls

Audio panel control functions

The audio panel controls for the XJ, S-TYPE and X-TYPE are described below.

Volume control

During a call, the phone volume can be adjusted with the audio panel volume control or the steering wheel switches.

The volume will be memorised for future calls (this will not alter other audio volume settings).

To adjust: During a phone call, press **MODE** on the audio panel repeatedly until **Fade** is displayed. Using the volume control knob or the steering wheel button, set the fade volume to your personal preference.

Phone Mode



This button will activate the Phone Mode, ready to make a call. The display will indicate that Phone Mode has been selected.

This function can also be controlled from the steering wheel: press and hold button **3**, see page 30.

Keypad



Press the digits to enter the required telephone number. Each key press will beep and the digits will be displayed on the audio panel.

The keypad can also be used in Memory Recall (**MR**), to enter a location number, or to scroll up/down the memory locations.

CANCEL



Press and release **CANCEL** to clear the last digit of a telephone number.

Press and hold **CANCEL** to clear all digits entered.

Send/End



Press this button to dial the entered telephone number. It is also used to end a call that is in progress.

Hands-free Controls

Memory recall



Press to access the phone memory location number.

Either a memory location number can be entered from the keypad, or memory locations can be scrolled up and down from the keypad scroll keys.

This function can also be controlled using steering wheel button **4**, see page 30.

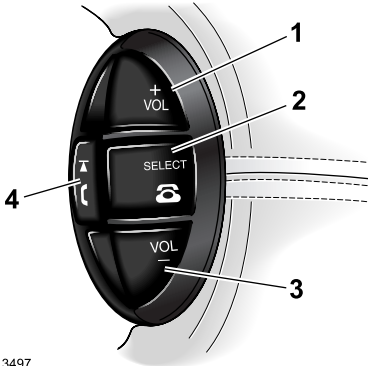
Press the upper or lower part of the control to seek up or down through the numbers in the phone memory.

Last number redial may also be activated by pressing and holding the **MR** button.

Hands-free Controls

The XK only

Four system control switches are situated on the left-hand side of the steering wheel, duplicating the functions of buttons on the audio panel.



JOL3497

Switch	Function
1	Increase volume.
2	Press and hold to access Phone Mode. Momentarily press and release to exit Phone Mode.
3	Decrease volume.
4	Press and release to scroll up to next memory location.

Audio panel control functions

The audio panel controls for the XK are described below.

Volume control and fader

During a call, the phone volume can be adjusted with the audio panel volume control or the steering wheel switches.

The volume will be memorised for future calls (this will not alter other audio volume settings).

To adjust: During a phone call, press **MODE** on the audio panel repeatedly until **Fade** is displayed. Using the volume control knob or the steering wheel button, set the fade volume to your personal preference.

Phone Mode



This button will activate the Phone Mode, ready to make a call. The display will indicate that Phone Mode has been selected.

This function can also be controlled from the steering wheel: press and hold button **2**, see illustration opposite.

Hands-free Controls

Keypad



Press the digits to enter the required telephone number. Each key press will beep and the digits will be displayed on the audio panel.

The keypad can also be used in Memory Recall (**MR**), to enter a location number, or to scroll up/down the memory locations.

Clear



Press and release **C/TA** to clear the last digit of a telephone number.

Press and hold **C/TA** to clear all digits entered.

Send/End



Press this button to dial the entered telephone number. It is also used to end a call that is in progress.

This function can also be controlled from the steering wheel: press and hold button **4** (see page 33).

CD or TAPE



When a call has ended, press this button to cycle through CD, Tape or insert a tape function.

Note: *These buttons are inoperative during a phone call.*

Memory recall



Press to access the phone memory location number. Either a memory location number can be entered from the keypad, or memory locations can be scrolled up and down from the keypad scroll keys.

This function can also be controlled using the steering wheel button **4**, see page 33. Press the upper or lower part of the control to seek up or down through the numbers in the phone memory.

Display messages – all vehicles

The following messages may be displayed:

- **Call** – There is an incoming call.
- **Calling** – A call is being established.
- **Empty** – Memory location is empty.
- **Location** – Memory location number or prompt for memory location number.
- **No service** – No cellular or Bluetooth service is available.
- **Phone** – System entering Phone Mode.
- **Please Wait – phone book information loading** – A short delay will be experienced whilst information is transferred from your mobile phone.
- **SIG** – System Indicator Gauge: this indicates the current status of the Bluetooth telephone system.