

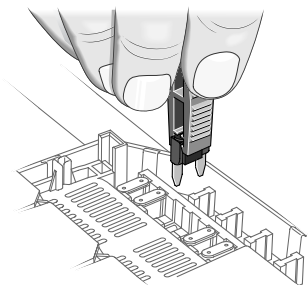
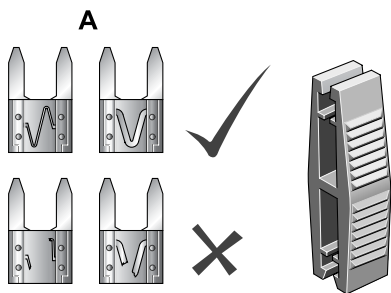
Fuses

FUSE TYPES

Fuse failure is identified by an inoperative circuit.

Do not fit a new fuse if the wiring is damaged; contact a Jaguar Dealer/ Authorised Repairer. After renewing a fuse have the circuit checked by a Jaguar Dealer/Authorised Repairer.

Make sure the new fuse is the correct rating (amperage).



JOL2678

Although there are several types of fuse used in the vehicle, only mini-fuses (A) can be changed by the owner.

A special tool for removing and replacing mini-fuses is provided in the engine compartment fuse box, together with spare fuses.

Use only the spare fuses supplied. If a spare fuse is used, renew it with a Jaguar approved fuse of the **same** amperage rating.

REPLACING A FUSE

Make sure the new fuse is the correct rating (amperage). Fuses are colour coded according to the amperage and the rating is also marked on each fuse. The colour code is as follows:

Tan	5 amp
Dark Red	7.5 amp
Red	10 amp
Light Blue	15 amp
Yellow	20 amp
Clear	25 amp
Light Green	30 amp

Mini-fuse replacement

Push the tool on to the suspect mini-fuse and withdraw it.

If the wire in the fuse is broken, the fuse has blown.

Fit a new fuse using the tool.

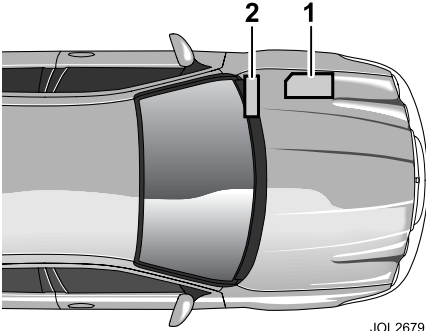
WARNING:

- **Do not fit a fuse of a different amperage from that removed. The electrical circuits may become overloaded with the subsequent possibility of a fire.**
- **No attempt should be made to repair a fuse that has blown as this may cause a fire hazard or serious damage elsewhere in the electrical circuit.**

Fuses

FUSE BOX LOCATIONS

There are two fuse boxes fitted to the vehicle, each one containing fuses protecting a different group of circuits.



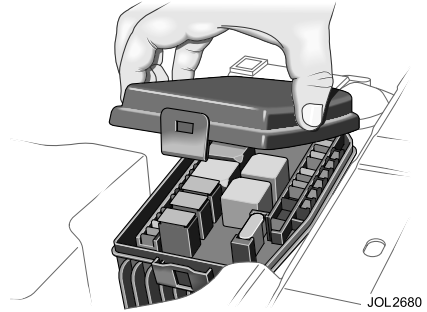
JOL2679

They are located in:

1. The engine compartment.
2. The passenger compartment.

Caution: When a fuse box lid is removed, take care to protect the box from moisture, and refit the lid at the earliest opportunity.

Engine compartment fuse box



JOL2680

The fuse box is located in the engine compartment on the left-hand side adjacent to the battery.

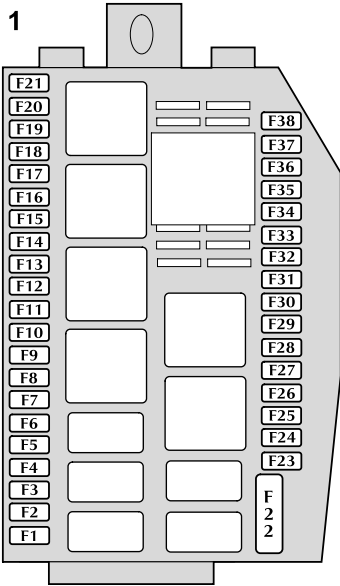
Remove the fuse box lid by pressing the retaining lug at the front of the lid and lifting the lid clear of the rear hinges.

A tool for removing the mini-fuses is located in the fuse box.

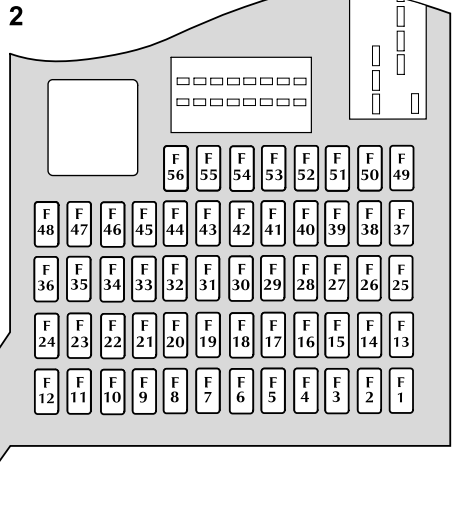
When refitting, relocate the fuse box lid in the hinges at the rear of the fuse box and press the retaining lug at the front of the lid into place.

Fuses

FUSE POSITIONS



JOL2956



1. Engine compartment fuse box.
2. Passenger compartment fuse box.

Fuses

ENGINE COMPARTMENT FUSES (1)

Fuse No	Rating (amps)	Circuit
F1	10	Right-hand main beam.
F2	15	Front fog lights, master light switch.
F3	20	Horns (diesel only).
F4	10	Left-hand main beam.
F5	10	Air conditioning compressor clutch.
F6	7.5	Alternator (petrol only).
F7	5	Fuel-fired heater relay coil (diesel only).
F8	30	Wiper switch.
F9	30	Wiper switch, windscreen washer pump, wiper motor.
F10	15	Ignition coils (petrol only).
F11	15	Automatic transmission control module.
F12	7.5	Supplementary heater relay coil (diesel only).
F13	5	Traction control system, anti-lock braking system, dynamic stability control system.
F14	30	Heated front screen left-hand side.
F15	30	Heated front screen right-hand side.
F16	5	Radiator fans speed control.
F17	10	Fuel injectors (petrol only). Exhaust gas recirculation, variable geometry turbocharger control (diesel only).
F18	10	Canister purge valve, airflow meter, inlet manifold tuning valve, canister close valve, vacuum module (petrol only). Cruise control module (2.0L petrol only). Glowplug relay coil (diesel only).
F19	10	Engine control module (petrol only). Throttle motor relay (2.5L and 3.0L). Fuel pump relay (2.0L petrol).
F20	30 (petrol) 7.5 (diesel)	Oxygen sensor heaters B (petrol only). Inlet manifold valve (diesel only).
F21	30 (petrol) 15 (diesel)	Oxygen sensor heaters A (petrol only). Airflow meter, engine control module (diesel only).
F22	60	Glowplugs (diesel only. This fuse should only be replaced by a Jaguar Dealer/Authorised Repairer).
F23		Not used.
F24	30	Power wash pump.
F25		Not used.

Fuses

Fuse No	Rating (amps)	Circuit
F26		Not used.
F27	15	Transit relay, vacuum module, battery backed sounder.
F28		Not used.
F29	See adjacent text	Left-hand dip beam, master light switch (autolights), head light levelling, instrument cluster. Note: This fuse is rated at 20 A for diesel models that ARE fitted with HID headlights, and for ALL petrol models. For diesel models that are NOT fitted with HID headlights, a 10 A fuse is required.
F30	See adjacent text	Right-hand dipped beam. Note: This fuse is rated at 20 A for diesel models that ARE fitted with HID headlights, and for ALL petrol models. For diesel models that are NOT fitted with HID headlights, a 10 A fuse is required.
F31	15	Fuel-fired heater (diesel only).
F32	15	Automatic transmission control module.
F33		Not used.
F34	30	Starter motor solenoid.
F35	5	Ignition relay coil.
F36	5 (petrol) 7.5 (diesel)	Engine control module. Battery sense to alternator (diesel only).
F37		Not used.
F38	20 (petrol) 30 (diesel)	Horns (petrol only). Auxiliary heater (diesel only).

Fuses

PASSENGER COMPARTMENT FUSES (2)

Fuse No	Rating (amps)	Circuit
F1		Not used.
F2	10	Instrument panel, electrochromic mirror, reverse light switch, reverse lights.
F3	30	Passenger seat adjustment motors.
F4	20	Accessory connectors.
F5	20	Rear wiper (Estate only).
F6		Not used.
F7	10	On board diagnostics, heated front seat modules, rain sensing system, JaguarVoice.
F8	20	Heated front seat modules.
F9	10	Driver's seat memory function.
F10	15	Sunroof module, SRX antenna.
F11	20	Left-hand (front and rear) electric window motors.
F12	10	VICS (Japan), JaguarVoice.
F13		Not used.
F14	30	Heated rear screen.
F15	10	Heated door mirrors.
F16	30	Driver's seat adjustment motors.
F17	20	Fuel pump driver module and relay.
F18	15	Rear accessory socket (Estate only).
F19	30	Tow-bar module. Rear accessory socket (Estate only).
F20	30	Premium ICE amplifier unit.
F21	20	Right-hand (front and rear) electric window motors.
F22	15	Door lock module.
F23	20	Rear screenwash pump (Estate only).
F24	20	Screenwash pump.
F25	5	On board diagnostics.
F26	10	Manual transmission cruise control clutch switch, rotary switch.
F27	5	Touch-screen.
F28	15	Front and rear accessory sockets.
F29	7.5	Rear fog lights.
F30	5	In-car telephone, PSE.
F31	15	Ignition switch.
F32	5	On board diagnostics.

Fuses

Fuse No	Rating (amps)	Circuit
F33	5	Park aid.
F34	10	Reverse switch.
F35	15	Direction power module.
F36	20	Throttle motor relay (2.5L and 3.0L). Fuel pump (2.0L petrol only).
F37	30	Climate control blower motor.
F38	15	Exterior light switch.
F39	10	HID module, air conditioning ECU, blower motor relay coil.
F40	5	Sunroof module, electrochromic mirror, power window motors and switches.
F41	5	Passenger airbag light, passenger seat weight sensor.
F42	5	Power steering module.
F43	10	Instrument panel, telematics display, ICE head unit, antenna module, VICS (Japan), navigation system, park aid, JaguarVoice, In-car telephone, accessory relay coil.
F44	15	Navigation system ECU, CD player, ICE head unit.
F45	10	Air conditioning ECU.
F46	7.5	Power fold back door mirrors.
F47	7.5	Left-hand side (parking) lights.
F48	7.5	Right-hand side (parking) lights.
F49	10	Air conditioning ECU, interior courtesy lights, roof console, in-car sensor.
F50	5	Automatic transmission control module.
F51	7.5	Manual transmission cruise control clutch switch, brake switch.
F52	15	Cigar lighter.
F53	10	Airbag module ignition supply.
F54	5	Instrument panel ignition supply.
F55	5	Number plate lights, glove compartment light, Instrument panel.
F56		Not used.